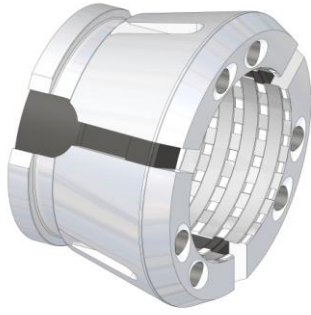


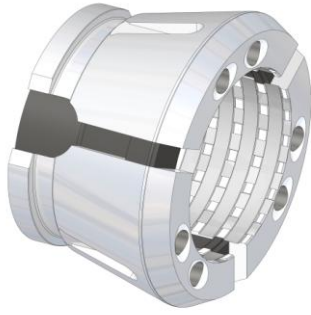
**SK32 BZIR
Round Bore**
(prices do not include VAT)

Part Number	Diameter	Description	Price
SK32BZIR08.0	8mm	8mm SK32 BZIR Round Bore – Radial Grooves	POA
SK32BZIR09.0	9mm	9mm SK32 BZIR Round Bore – Radial Grooves	POA
SK32BZIR0.3750	3/8"	3/8" SK32 BZIR Round Bore – Radial Grooves	POA
SK32BZIR10.0	10mm	10mm SK32 BZIR Round Bore – Radial Grooves	POA
SK32BZIR11.0	11mm	11mm SK32 BZIR Round Bore – Radial and Axial Grooves	POA
SK32BZIR0.4375	7/16"	7/16" SK32 BZIR Round Bore – Radial and Axial Grooves	POA
SK32BZIR12.0	12mm	12mm SK32 BZIR Round Bore – Radial and Axial Grooves	POA
SK32BZIR0.5000	1/2"	1/2" SK32 BZIR Round Bore – Radial and Axial Grooves	POA
SK32BZIR13.0	13mm	13mm SK32 BZIR Round Bore – Radial and Axial Grooves	POA
SK32BZIR14.0	14mm	14mm SK32 BZIR Round Bore – Radial and Axial Grooves	POA
SK32BZIR0.5625	9/16"	9/16" SK32 BZIR Round Bore – Radial and Axial Grooves	POA
SK32BZIR15.0	15mm	15mm SK32 BZIR Round Bore – Radial and Axial Grooves	POA
SK32BZIR0.6250	5/8"	5/8" SK32 BZIR Round Bore – Radial and Axial Grooves	POA
SK32BZIR16.0	16mm	16mm SK32 BZIR Round Bore – Radial and Axial Grooves	POA
SK32BZIR17.0	17mm	17mm SK32 BZIR Round Bore – Radial and Axial Grooves	POA
SK32BZIR0.6875	11/16"	11/16" SK32 BZIR Round Bore – Radial and Axial Grooves	POA
SK32BZIR18.0	18mm	18mm SK32 BZIR Round Bore – Radial and Axial Grooves	POA
SK32BZIR19.0	19mm	19mm SK32 BZIR Round Bore – Radial and Axial Grooves	POA
SK32BZIR0.7500	3/4"	3/4" SK32 BZIR Round Bore – Radial and Axial Grooves	POA
SK32BZIR20.0	20mm	20mm SK32 BZIR Round Bore – Radial and Axial Grooves	POA
SK32BZIR0.8125	13/16"	13/16" SK32 BZIR Round Bore – Radial and Axial Grooves	POA
SK32BZIR21.0	21mm	21mm SK32 BZIR Round Bore – Radial and Axial Grooves	POA



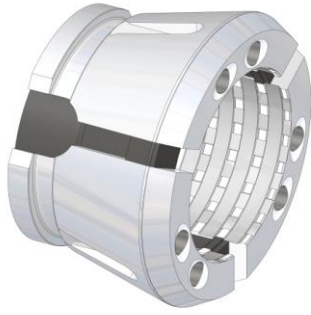
**SK32 BZIR
Round Bore**
(prices do not include VAT)

Part Number	Diameter	Description	Price
SK32BZIR22.0	22mm	22mm SK32 BZIR Round Bore – Radial and Axial Grooves	POA
SK32BZIR0.8750	7/8"	7/8" SK32 BZIR Round Bore – Radial and Axial Grooves	POA
SK32BZIR23.0	23mm	23mm SK32 BZIR Round Bore – Radial and Axial Grooves	POA
SK32BZIR0.9375	15/16"	15/16" SK32 BZIR Round Bore – Radial and Axial Grooves	POA
SK32BZIR24.0	24mm	24mm SK32 BZIR Round Bore – Radial and Axial Grooves	POA
SK32BZIR25.0	25mm	25mm SK32 BZIR Round Bore – Radial and Axial Grooves	POA
SK32BZIR1.0000	1"	1" SK32 BZIR Round Bore – Radial and Axial Grooves	POA
SK32BZIR26.0	26mm	26mm SK32 BZIR Round Bore – Radial and Axial Grooves	POA
SK32BZIR1.0625	1.1/16"	1.1/16" SK32 BZIR Round Bore – Radial and Axial Grooves	POA
SK32BZIR27.0	27mm	27mm SK32 BZIR Round Bore – Radial and Axial Grooves	POA
SK32BZIR28.0	28mm	28mm SK32 BZIR Round Bore – Radial and Axial Grooves	POA
SK32BZIR1.1250	1.1/8"	1.1/8" SK32 BZIR Round Bore – Radial and Axial Grooves	POA
SK32BZIR29.0	29mm	29mm SK32 BZIR Round Bore – Radial and Axial Grooves	POA
SK32BZIR30.0	30mm	30mm SK32 BZIR Round Bore – Radial and Axial Grooves	POA
SK32BZIR1.1875	1.3/16"	1.3/16" SK32 BZIR Round Bore – Radial and Axial Grooves	POA
SK32BZIR31.0	31mm	31mm SK32 BZIR Round Bore – Radial and Axial Grooves	POA
SK32BZIR1.2500	1.1/4"	1.1/4" SK32 BZIR Round Bore – Radial and Axial Grooves	POA
SK32BZIR32.0	32mm	32mm SK32 BZIR Round Bore – Radial and Axial Grooves	POA



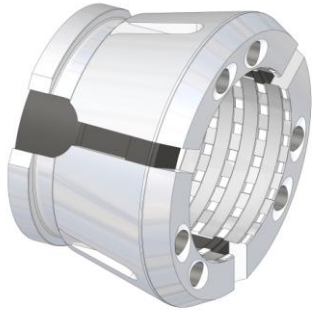
**SK42 BZIR
Round Bore**
(prices do not include VAT)

Part Number	Diameter	Description	Price
SK42BZIR08.0	8mm	8mm SK42 BZIR Round Bore – Radial Grooves	£181.00
SK42BZIR08.5	8.5mm	8.5mm SK42 BZIR Round Bore – Radial Grooves	£181.00
SK42BZIR09.0	9mm	9mm SK42 BZIR Round Bore – Radial Grooves	£181.00
SK42BZIR09.5	9.5mm	9.5mm SK42 BZIR Round Bore – Radial Grooves	£181.00
SK42BZIR0.3750	3/8"	3/8" SK42 BZIR Round Bore – Radial Grooves	£181.00
SK42BZIR10.0	10mm	10mm SK42 BZIR Round Bore – Radial Grooves	£181.00
SK42BZIR10.5	10.5mm	10.5mm SK42 BZIR Round Bore – Radial Grooves	£181.00
SK42BZIR11.0	11mm	11mm SK42 BZIR Round Bore – Radial and Axial Grooves	£181.00
SK42BZIR0.4375	7/16"	7/16" SK42 BZIR Round Bore – Radial and Axial Grooves	£181.00
SK42BZIR11.5	11.5mm	11.5mm SK42 BZIR Round Bore – Radial and Axial Grooves	£181.00
SK42BZIR12.0	12mm	12mm SK42 BZIR Round Bore – Radial and Axial Grooves	£181.00
SK42BZIR12.5	12.5mm	12.5mm SK42 BZIR Round Bore – Radial and Axial Grooves	£181.00
SK42BZIR0.5000	1/2"	1/2" SK42 BZIR Round Bore – Radial and Axial Grooves	£181.00
SK42BZIR13.0	13mm	13mm SK42 BZIR Round Bore – Radial and Axial Grooves	£181.00
SK42BZIR13.5	13.5mm	13.5mm SK42 BZIR Round Bore – Radial and Axial Grooves	£181.00
SK42BZIR14.0	14mm	14mm SK42 BZIR Round Bore – Radial and Axial Grooves	£181.00
SK42BZIR0.5625	9/16"	9/16" SK42 BZIR Round Bore – Radial and Axial Grooves	£181.00
SK42BZIR14.5	14.5mm	14.5mm SK42 BZIR Round Bore – Radial and Axial Grooves	£181.00
SK42BZIR15.0	15mm	15mm SK42 BZIR Round Bore – Radial and Axial Grooves	£181.00
SK42BZIR15.5	15.5mm	15.5mm SK42 BZIR Round Bore – Radial and Axial Grooves	£181.00
SK42BZIR0.6250	5/8"	5/8" SK42 BZIR Round Bore – Radial and Axial Grooves	£181.00
SK42BZIR16.0	16mm	16mm SK42 BZIR Round Bore – Radial and Axial Grooves	£181.00



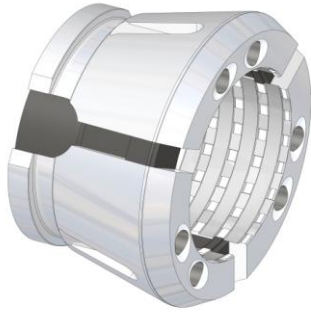
**SK42 BZIR
Round Bore**
(prices do not include VAT)

Part Number	Diameter	Description	Price
SK42BZIR16.5	16.5mm	16.5mm SK42 BZIR Round Bore – Radial and Axial Grooves	£181.00
SK42BZIR17.0	17mm	17mm SK42 BZIR Round Bore – Radial and Axial Grooves	£181.00
SK42BZIR0.6875	11/16"	11/16" SK42 BZIR Round Bore – Radial and Axial Grooves	£181.00
SK42BZIR17.5	17.5mm	17.5mm SK42 BZIR Round Bore – Radial and Axial Grooves	£181.00
SK42BZIR18.0	18mm	18mm SK42 BZIR Round Bore – Radial and Axial Grooves	£181.00
SK42BZIR18.5	18.5mm	18.5mm SK42 BZIR Round Bore – Radial and Axial Grooves	£181.00
SK42BZIR19.0	19mm	19mm SK42 BZIR Round Bore – Radial and Axial Grooves	£181.00
SK42BZIR0.7500	3/4"	3/4" SK42 BZIR Round Bore – Radial and Axial Grooves	£181.00
SK42BZIR19.5	19.5mm	19.5mm SK42 BZIR Round Bore – Radial and Axial Grooves	£181.00
SK42BZIR20.0	20mm	20mm SK42 BZIR Round Bore – Radial and Axial Grooves	£181.00
SK42BZIR20.5	20.5mm	20.5mm SK42 BZIR Round Bore – Radial and Axial Grooves	£181.00
SK42BZIR0.8125	13/16"	13/16" SK42 BZIR Round Bore – Radial and Axial Grooves	£181.00
SK42BZIR21.0	21mm	21mm SK42 BZIR Round Bore – Radial and Axial Grooves	£181.00
SK42BZIR21.5	21.5mm	21.5mm SK42 BZIR Round Bore – Radial and Axial Grooves	£181.00
SK42BZIR22.0	22mm	22mm SK42 BZIR Round Bore – Radial and Axial Grooves	£181.00
SK42BZIR0.8750	7/8"	7/8" SK42 BZIR Round Bore – Radial and Axial Grooves	£181.00
SK42BZIR22.5	22.5mm	22.5mm SK42 BZIR Round Bore – Radial and Axial Grooves	£181.00
SK42BZIR23.0	23mm	23mm SK42 BZIR Round Bore – Radial and Axial Grooves	£181.00
SK42BZIR23.5	23.5mm	23.5mm SK42 BZIR Round Bore – Radial and Axial Grooves	£181.00
SK42BZIR0.9375	15/16"	15/16" SK42 BZIR Round Bore – Radial and Axial Grooves	£181.00
SK42BZIR24.0	24mm	24mm SK42 BZIR Round Bore – Radial and Axial Grooves	£181.00
SK42BZIR24.5	24.5mm	24.5mm SK42 BZIR Round Bore – Radial and Axial Grooves	£181.00



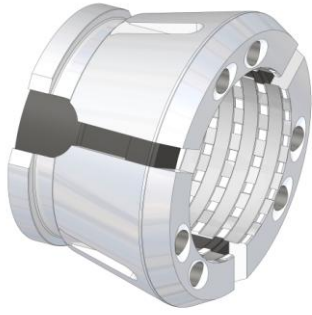
**SK42 BZIR
Round Bore**
(prices do not include VAT)

Part Number	Diameter	Description	Price
SK42BZIR25.0	25mm	25mm SK42 BZIR Round Bore – Radial and Axial Grooves	£181.00
SK42BZIR1.0000	1"	1" SK42 BZIR Round Bore – Radial and Axial Grooves	£181.00
SK42BZIR25.5	25.5mm	25.5mm SK42 BZIR Round Bore – Radial and Axial Grooves	£181.00
SK42BZIR26.0	26mm	26mm SK42 BZIR Round Bore – Radial and Axial Grooves	£181.00
SK42BZIR26.5	26.5mm	26.5mm SK42 BZIR Round Bore – Radial and Axial Grooves	£181.00
SK42BZIR1.0625	1.1/16"	1.1/16" SK42 BZIR Round Bore – Radial and Axial Grooves	£181.00
SK42BZIR27.0	27mm	27mm SK42 BZIR Round Bore – Radial and Axial Grooves	£181.00
SK42BZIR27.5	27.5mm	27.5mm SK42 BZIR Round Bore – Radial and Axial Grooves	£181.00
SK42BZIR28.0	28mm	28mm SK42 BZIR Round Bore – Radial and Axial Grooves	£181.00
SK42BZIR28.5	28.5mm	28.5mm SK42 BZIR Round Bore – Radial and Axial Grooves	£181.00
SK42BZIR1.1250	1.1/8"	1.1/8" SK42 BZIR Round Bore – Radial and Axial Grooves	£181.00
SK42BZIR29.0	29mm	29mm SK42 BZIR Round Bore – Radial and Axial Grooves	£181.00
SK42BZIR29.5	29.5mm	29.5mm SK42 BZIR Round Bore – Radial and Axial Grooves	£181.00
SK42BZIR30.0	30mm	30mm SK42 BZIR Round Bore – Radial and Axial Grooves	£181.00
SK42BZIR1.1875	1.3/16"	1.3/16" SK42 BZIR Round Bore – Radial and Axial Grooves	£181.00
SK42BZIR30.5	30.5mm	30.5mm SK42 BZIR Round Bore – Radial and Axial Grooves	£181.00
SK42BZIR31.0	31mm	31mm SK42 BZIR Round Bore – Radial and Axial Grooves	£181.00
SK42BZIR31.5	31.5mm	31.5mm SK42 BZIR Round Bore – Radial and Axial Grooves	£181.00
SK42BZIR1.2500	1.1/4"	1.1/4" SK42 BZIR Round Bore – Radial and Axial Grooves	£181.00
SK42BZIR32.0	32mm	32mm SK42 BZIR Round Bore – Radial and Axial Grooves	£181.00
SK42BZIR32.5	32.5mm	32.5mm SK42 BZIR Round Bore – Radial and Axial Grooves	£181.00
SK42BZIR33.0	33mm	33mm SK42 BZIR Round Bore – Radial and Axial Grooves	£181.00



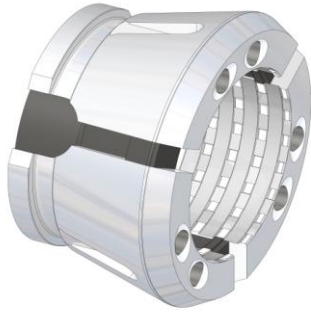
**SK42 BZIR
Round Bore**
(prices do not include VAT)

Part Number	Diameter	Description	Price
SK42BZIR1.3125	1.5/16"	1.5/16" SK42 BZIR Round Bore – Radial and Axial Grooves	£181.00
SK42BZIR33.5	33.5mm	33.5mm SK42 BZIR Round Bore – Radial and Axial Grooves	£181.00
SK42BZIR34.0	34mm	34mm SK42 BZIR Round Bore – Radial and Axial Grooves	£181.00
SK42BZIR34.5	34.5mm	34.5mm SK42 BZIR Round Bore – Radial and Axial Grooves	£181.00
SK42BZIR1.3750	1.3/8"	1.3/8" SK42 BZIR Round Bore – Radial and Axial Grooves	£181.00
SK42BZIR35.0	35mm	35mm SK42 BZIR Round Bore – Radial and Axial Grooves	£181.00
SK42BZIR35.5	35.5mm	35.5mm SK42 BZIR Round Bore – Radial and Axial Grooves	£181.00
SK42BZIR36.0	36mm	36mm SK42 BZIR Round Bore – Radial and Axial Grooves	£181.00
SK42BZIR36.5	36.5mm	36.5mm SK42 BZIR Round Bore – Radial and Axial Grooves	£181.00
SK42BZIR1.4375	1.7/16"	1.7/16" SK42 BZIR Round Bore – Radial and Axial Grooves	£181.00
SK42BZIR37.0	37mm	37mm SK42 BZIR Round Bore – Radial and Axial Grooves	£181.00
SK42BZIR37.5	37.5mm	37.5mm SK42 BZIR Round Bore – Radial and Axial Grooves	£181.00
SK42BZIR38.0	38mm	38mm SK42 BZIR Round Bore – Radial and Axial Grooves	£181.00
SK42BZIR1.5000	1.1/2"	1.1/2" SK42 BZIR Round Bore – Radial and Axial Grooves	£181.00
SK42BZIR38.5	38.5mm	38.5mm SK42 BZIR Round Bore – Radial and Axial Grooves	£181.00
SK42BZIR39.0	39mm	39mm SK42 BZIR Round Bore – Radial and Axial Grooves	£181.00
SK42BZIR39.5	39.5mm	39.5mm SK42 BZIR Round Bore – Radial and Axial Grooves	£181.00
SK42BZIR1.5625	1.9/16"	1.9/16" SK42 BZIR Round Bore – Radial and Axial Grooves	£181.00
SK42BZIR40.0	40mm	40mm SK42 BZIR Round Bore – Radial and Axial Grooves	£181.00
SK42BZIR40.5	40.5mm	40.5mm SK42 BZIR Round Bore – Radial and Axial Grooves	£181.00
SK42BZIR41.0	41mm	41mm SK42 BZIR Round Bore – Radial and Axial Grooves	£181.00
SK42BZIR1.6250	1.5/8"	1.5/8" SK42 BZIR Round Bore – Radial and Axial Grooves	£181.00



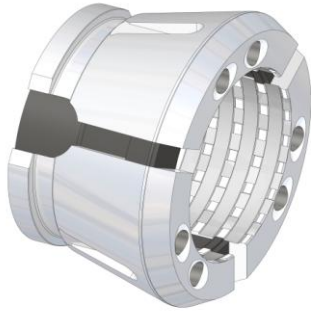
**SK42 BZIR
Round Bore**
(prices do not include VAT)

Part Number	Diameter	Description	Price
SK42BZIR41.5	41.5mm	41.5mm SK42 BZIR Round Bore – Radial and Axial Grooves	£181.00
SK42BZIR42.0	42mm	42mm SK42 BZIR Round Bore – Radial and Axial Grooves	£181.00



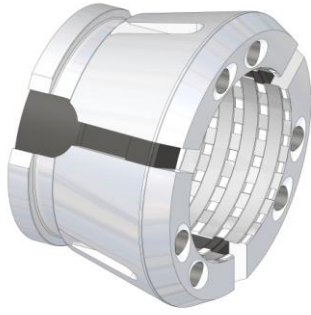
**SK52 BZIR
Round Bore**
(prices do not include VAT)

Part Number	Diameter	Description	Price
SK52BZIR08.0	8mm	8mm SK52 BZIR Round Bore – Radial Grooves	£181.00
SK52BZIR08.5	8.5mm	8.5mm SK52 BZIR Round Bore – Radial Grooves	£181.00
SK52BZIR09.0	9mm	9mm SK52 BZIR Round Bore – Radial Grooves	£181.00
SK52BZIR09.5	9.5mm	9.5mm SK52 BZIR Round Bore – Radial Grooves	£181.00
SK52BZIR0.3750	3/8"	3/8" SK52 BZIR Round Bore – Radial Grooves	£181.00
SK52BZIR10.0	10mm	10mm SK52 BZIR Round Bore – Radial Grooves	£181.00
SK52BZIR10.5	10.5mm	10.5mm SK52 BZIR Round Bore – Radial Grooves	£181.00
SK52BZIR11.0	11mm	11mm SK52 BZIR Round Bore – Radial and Axial Grooves	£181.00
SK52BZIR0.4375	7/16"	7/16" SK52 BZIR Round Bore – Radial and Axial Grooves	£181.00
SK52BZIR11.5	11.5mm	11.5mm SK52 BZIR Round Bore – Radial and Axial Grooves	£181.00
SK52BZIR12.0	12mm	12mm SK52 BZIR Round Bore – Radial and Axial Grooves	£181.00
SK52BZIR12.5	12.5mm	12.5mm SK52 BZIR Round Bore – Radial and Axial Grooves	£181.00
SK52BZIR0.5000	1/2"	1/2" SK52 BZIR Round Bore – Radial and Axial Grooves	£181.00
SK52BZIR13.0	13mm	13mm SK52 BZIR Round Bore – Radial and Axial Grooves	£181.00
SK52BZIR13.5	13.5mm	13.5mm SK52 BZIR Round Bore – Radial and Axial Grooves	£181.00
SK52BZIR14.0	14mm	14mm SK52 BZIR Round Bore – Radial and Axial Grooves	£181.00
SK52BZIR0.5625	9/16"	9/16" SK52 BZIR Round Bore – Radial and Axial Grooves	£181.00
SK52BZIR14.5	14.5mm	14.5mm SK52 BZIR Round Bore – Radial and Axial Grooves	£181.00
SK52BZIR15.0	15mm	15mm SK52 BZIR Round Bore – Radial and Axial Grooves	£181.00
SK52BZIR15.5	15.5mm	15.5mm SK52 BZIR Round Bore – Radial and Axial Grooves	£181.00
SK52BZIR0.6250	5/8"	5/8" SK52 BZIR Round Bore – Radial and Axial Grooves	£181.00
SK52BZIR16.0	16mm	16mm SK52 BZIR Round Bore – Radial and Axial Grooves	£181.00



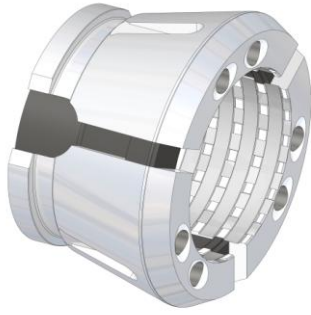
**SK52 BZIR
Round Bore**
(prices do not include VAT)

Part Number	Diameter	Description	Price
SK52BZIR16.5	16.5mm	16.5mm SK52 BZIR Round Bore – Radial and Axial Grooves	£181.00
SK52BZIR17.0	17mm	17mm SK52 BZIR Round Bore – Radial and Axial Grooves	£181.00
SK52BZIR0.6875	11/16"	11/16" SK52 BZIR Round Bore – Radial and Axial Grooves	£181.00
SK52BZIR17.5	17.5mm	17.5mm SK52 BZIR Round Bore – Radial and Axial Grooves	£181.00
SK52BZIR18.0	18mm	18mm SK52 BZIR Round Bore – Radial and Axial Grooves	£181.00
SK52BZIR18.5	18.5mm	18.5mm SK52 BZIR Round Bore – Radial and Axial Grooves	£181.00
SK52BZIR19.0	19mm	19mm SK52 BZIR Round Bore – Radial and Axial Grooves	£181.00
SK52BZIR0.7500	3/4"	3/4" SK52 BZIR Round Bore – Radial and Axial Grooves	£181.00
SK52BZIR19.5	19.5mm	19.5mm SK52 BZIR Round Bore – Radial and Axial Grooves	£181.00
SK52BZIR20.0	20mm	20mm SK52 BZIR Round Bore – Radial and Axial Grooves	£181.00
SK52BZIR20.5	20.5mm	20.5mm SK52 BZIR Round Bore – Radial and Axial Grooves	£181.00
SK52BZIR0.8125	13/16"	13/16" SK52 BZIR Round Bore – Radial and Axial Grooves	£181.00
SK52BZIR21.0	21mm	21mm SK52 BZIR Round Bore – Radial and Axial Grooves	£181.00
SK52BZIR21.5	21.5mm	21.5mm SK52 BZIR Round Bore – Radial and Axial Grooves	£181.00
SK52BZIR22.0	22mm	22mm SK52 BZIR Round Bore – Radial and Axial Grooves	£181.00
SK52BZIR0.8750	7/8"	7/8" SK52 BZIR Round Bore – Radial and Axial Grooves	£181.00
SK52BZIR22.5	22.5mm	22.5mm SK52 BZIR Round Bore – Radial and Axial Grooves	£181.00
SK52BZIR23.0	23mm	23mm SK52 BZIR Round Bore – Radial and Axial Grooves	£181.00
SK52BZIR23.5	23.5mm	23.5mm SK52 BZIR Round Bore – Radial and Axial Grooves	£181.00
SK52BZIR0.9375	15/16"	15/16" SK52 BZIR Round Bore – Radial and Axial Grooves	£181.00
SK52BZIR24.0	24mm	24mm SK52 BZIR Round Bore – Radial and Axial Grooves	£181.00
SK52BZIR24.5	24.5mm	24.5mm SK52 BZIR Round Bore – Radial and Axial Grooves	£181.00



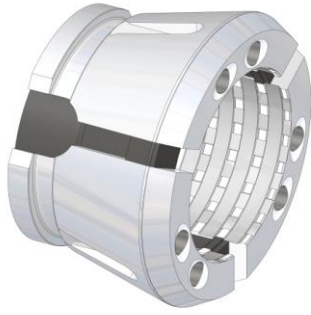
**SK52 BZIR
Round Bore**
(prices do not include VAT)

Part Number	Diameter	Description	Price
SK52BZIR25.0	25mm	25mm SK52 BZIR Round Bore – Radial and Axial Grooves	£181.00
SK52BZIR1.0000	1"	1" SK52 BZIR Round Bore – Radial and Axial Grooves	£181.00
SK52BZIR25.5	25.5mm	25.5mm SK52 BZIR Round Bore – Radial and Axial Grooves	£181.00
SK52BZIR26.0	26mm	26mm SK52 BZIR Round Bore – Radial and Axial Grooves	£181.00
SK52BZIR26.5	26.5mm	26.5mm SK52 BZIR Round Bore – Radial and Axial Grooves	£181.00
SK52BZIR1.0625	1.1/16"	1.1/16" SK52 BZIR Round Bore – Radial and Axial Grooves	£181.00
SK52BZIR27.0	27mm	27mm SK52 BZIR Round Bore – Radial and Axial Grooves	£181.00
SK52BZIR27.5	27.5mm	27.5mm SK52 BZIR Round Bore – Radial and Axial Grooves	£181.00
SK52BZIR28.0	28mm	28mm SK52 BZIR Round Bore – Radial and Axial Grooves	£181.00
SK52BZIR28.5	28.5mm	28.5mm SK52 BZIR Round Bore – Radial and Axial Grooves	£181.00
SK52BZIR1.1250	1.1/8"	1.1/8" SK52 BZIR Round Bore – Radial and Axial Grooves	£181.00
SK52BZIR29.0	29mm	29mm SK52 BZIR Round Bore – Radial and Axial Grooves	£181.00
SK52BZIR29.5	29.5mm	29.5mm SK52 BZIR Round Bore – Radial and Axial Grooves	£181.00
SK52BZIR30.0	30mm	30mm SK52 BZIR Round Bore – Radial and Axial Grooves	£181.00
SK52BZIR1.1875	1.3/16"	1.3/16" SK52 BZIR Round Bore – Radial and Axial Grooves	£181.00
SK52BZIR30.5	30.5mm	30.5mm SK52 BZIR Round Bore – Radial and Axial Grooves	£181.00
SK52BZIR31.0	31mm	31mm SK52 BZIR Round Bore – Radial and Axial Grooves	£181.00
SK52BZIR31.5	31.5mm	31.5mm SK52 BZIR Round Bore – Radial and Axial Grooves	£181.00
SK52BZIR1.2500	1.1/4"	1.1/4" SK52 BZIR Round Bore – Radial and Axial Grooves	£181.00
SK52BZIR32.0	32mm	32mm SK52 BZIR Round Bore – Radial and Axial Grooves	£181.00
SK52BZIR32.5	32.5mm	32.5mm SK52 BZIR Round Bore – Radial and Axial Grooves	£181.00
SK52BZIR33.0	33mm	33mm SK52 BZIR Round Bore – Radial and Axial Grooves	£181.00



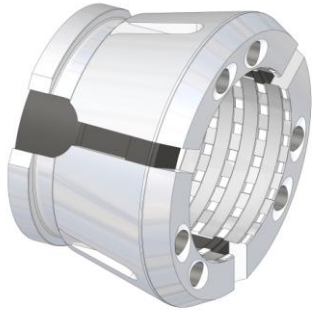
**SK52 BZIR
Round Bore**
(prices do not include VAT)

Part Number	Diameter	Description	Price
SK52BZIR1.3125	1.5/16"	1.5/16" SK52 BZIR Round Bore – Radial and Axial Grooves	£181.00
SK52BZIR33.5	33.5mm	33.5mm SK52 BZIR Round Bore – Radial and Axial Grooves	£181.00
SK52BZIR34.0	34mm	34mm SK52 BZIR Round Bore – Radial and Axial Grooves	£181.00
SK52BZIR34.5	34.5mm	34.5mm SK52 BZIR Round Bore – Radial and Axial Grooves	£181.00
SK52BZIR1.3750	1.3/8"	1.3/8" SK52 BZIR Round Bore – Radial and Axial Grooves	£181.00
SK52BZIR35.0	35mm	35mm SK52 BZIR Round Bore – Radial and Axial Grooves	£181.00
SK52BZIR35.5	35.5mm	35.5mm SK52 BZIR Round Bore – Radial and Axial Grooves	£181.00
SK52BZIR36.0	36mm	36mm SK52 BZIR Round Bore – Radial and Axial Grooves	£181.00
SK52BZIR36.5	36.5mm	36.5mm SK52 BZIR Round Bore – Radial and Axial Grooves	£181.00
SK52BZIR1.4375	1.7/16"	1.7/16" SK52 BZIR Round Bore – Radial and Axial Grooves	£181.00
SK52BZIR37.0	37mm	37mm SK52 BZIR Round Bore – Radial and Axial Grooves	£181.00
SK52BZIR37.5	37.5mm	37.5mm SK52 BZIR Round Bore – Radial and Axial Grooves	£181.00
SK52BZIR38.0	38mm	38mm SK52 BZIR Round Bore – Radial and Axial Grooves	£181.00
SK52BZIR1.5000	1.1/2"	1.1/2" SK52 BZIR Round Bore – Radial and Axial Grooves	£181.00
SK52BZIR38.5	38.5mm	38.5mm SK52 BZIR Round Bore – Radial and Axial Grooves	£181.00
SK52BZIR39.0	39mm	39mm SK52 BZIR Round Bore – Radial and Axial Grooves	£181.00
SK52BZIR39.5	39.5mm	39.5mm SK52 BZIR Round Bore – Radial and Axial Grooves	£181.00
SK52BZIR1.5625	1.9/16"	1.9/16" SK52 BZIR Round Bore – Radial and Axial Grooves	£181.00
SK52BZIR40.0	40mm	40mm SK52 BZIR Round Bore – Radial and Axial Grooves	£181.00
SK52BZIR40.5	40.5mm	40.5mm SK52 BZIR Round Bore – Radial and Axial Grooves	£181.00
SK52BZIR41.0	41mm	41mm SK52 BZIR Round Bore – Radial and Axial Grooves	£181.00
SK52BZIR1.6250	1.5/8"	1.5/8" SK52 BZIR Round Bore – Radial and Axial Grooves	£181.00



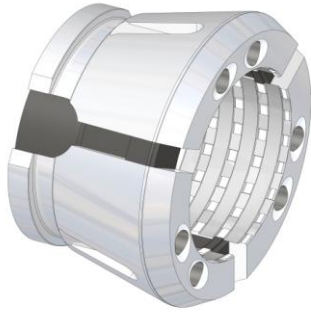
**SK52 BZIR
Round Bore**
(prices do not include VAT)

Part Number	Diameter	Description	Price
SK52BZIR41.5	41.5mm	41.5mm SK52 BZIR Round Bore – Radial and Axial Grooves	£181.00
SK52BZIR42.0	42mm	42mm SK52 BZIR Round Bore – Radial and Axial Grooves	£181.00
SK52BZIR42.5	42.5mm	42.5mm SK52 BZIR Round Bore – Radial and Axial Grooves	£181.00
SK52BZIR1.6875	1.11/16"	1.11/16" SK52 BZIR Round Bore – Radial and Axial Grooves	£181.00
SK52BZIR43.0	43mm	43mm SK52 BZIR Round Bore – Radial and Axial Grooves	£181.00
SK52BZIR43.5	43.5mm	43.5mm SK52 BZIR Round Bore – Radial and Axial Grooves	£181.00
SK52BZIR44.0	44mm	44mm SK52 BZIR Round Bore – Radial and Axial Grooves	£181.00
SK52BZIR1.7500	1.3/4"	1.3/4" SK52 BZIR Round Bore – Radial and Axial Grooves	£181.00
SK52BZIR44.5	44.5mm	44.5mm SK52 BZIR Round Bore – Radial and Axial Grooves	£181.00
SK52BZIR45.0	45mm	45mm SK52 BZIR Round Bore – Radial and Axial Grooves	£181.00
SK52BZIR45.5	45.5mm	45.5mm SK52 BZIR Round Bore – Radial and Axial Grooves	£181.00
SK52BZIR46.0	46mm	46mm SK52 BZIR Round Bore – Radial and Axial Grooves	£181.00
SK52BZIR1.8125	1.13/16"	1.13/16" SK52 BZIR Round Bore – Radial and Axial Grooves	£181.00
SK52BZIR46.5	46.5mm	46.5mm SK52 BZIR Round Bore – Radial and Axial Grooves	£181.00
SK52BZIR47.0	47mm	47mm SK52 BZIR Round Bore – Radial and Axial Grooves	£181.00
SK52BZIR47.5	47.5mm	47.5mm SK52 BZIR Round Bore – Radial and Axial Grooves	£181.00
SK52BZIR1.8750	1.7/8"	1.7/8" SK52 BZIR Round Bore – Radial and Axial Grooves	£181.00
SK52BZIR48.0	48mm	48mm SK52 BZIR Round Bore – Radial and Axial Grooves	£181.00
SK52BZIR48.5	48.5mm	48.5mm SK52 BZIR Round Bore – Radial and Axial Grooves	£181.00
SK52BZIR49.0	49mm	49mm SK52 BZIR Round Bore – Radial and Axial Grooves	£181.00
SK52BZIR1.9375	1.15/16"	1.15/16" SK52 BZIR Round Bore – Radial and Axial Grooves	£181.00
SK52BZIR49.5	49.5mm	49.5mm SK52 BZIR Round Bore – Radial and Axial Grooves	£181.00



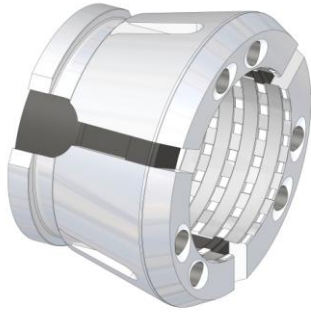
**SK52 BZIR
Round Bore**
(prices do not include VAT)

Part Number	Diameter	Description	Price
SK52BZIR50.0	50mm	50mm SK52 BZIR Round Bore – Radial and Axial Grooves	£181.00
SK52BZIR50.5	50.5mm	50.5mm SK52 BZIR Round Bore – Radial and Axial Grooves	£181.00
SK52BZIR2.0000	2"	2" SK52 BZIR Round Bore – Radial and Axial Grooves	£181.00
SK52BZIR51.0	51mm	51mm SK52 BZIR Round Bore – Radial and Axial Grooves	£181.00
SK52BZIR51.5	51.5mm	51.5mm SK52 BZIR Round Bore – Radial and Axial Grooves	£181.00
SK52BZIR52.0	52mm	52mm SK52 BZIR Round Bore – Radial and Axial Grooves	£181.00



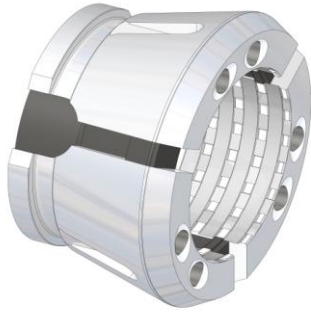
**SK65 BZIR
Round Bore**
(prices do not include VAT)

Part Number	Diameter	Description	Price
SK65BZIR08.0	8mm	8mm SK65 BZIR Round Bore – Radial Grooves	£230.00
SK65BZIR08.5	8.5mm	8.5mm SK65 BZIR Round Bore – Radial Grooves	£230.00
SK65BZIR09.0	9mm	9mm SK65 BZIR Round Bore – Radial Grooves	£230.00
SK65BZIR09.5	9.5mm	9.5mm SK65 BZIR Round Bore – Radial Grooves	£230.00
SK65BZIR0.375	3/8"	3/8" SK65 BZIR Round Bore – Radial Grooves	£230.00
SK65BZIR10.0	10mm	10mm SK65 BZIR Round Bore – Radial Grooves	£230.00
SK65BZIR10.5	10.5mm	10.5mm SK65 BZIR Round Bore – Radial Grooves	£230.00
SK65BZIR11.0	11mm	11mm SK65 BZIR Round Bore – Radial and Axial Grooves	£230.00
SK65BZIR0.4375	7/16"	7/16" SK65 BZIR Round Bore – Radial and Axial Grooves	£230.00
SK65BZIR11.5	11.5mm	11.5mm SK65 BZIR Round Bore – Radial and Axial Grooves	£230.00
SK65BZIR12.0	12mm	12mm SK65 BZIR Round Bore – Radial and Axial Grooves	£230.00
SK65BZIR12.5	12.5mm	12.5mm SK65 BZIR Round Bore – Radial and Axial Grooves	£230.00
SK65BZIR0.5000	1/2"	1/2" SK65 BZIR Round Bore – Radial and Axial Grooves	£230.00
SK65BZIR13.0	13mm	13mm SK65 BZIR Round Bore – Radial and Axial Grooves	£230.00
SK65BZIR13.5	13.5mm	13.5mm SK65 BZIR Round Bore – Radial and Axial Grooves	£230.00
SK65BZIR14.0	14mm	14mm SK65 BZIR Round Bore – Radial and Axial Grooves	£230.00
SK65BZIR0.5625	9/16"	9/16" SK65 BZIR Round Bore – Radial and Axial Grooves	£230.00
SK65BZIR14.5	14.5mm	14.5mm SK65 BZIR Round Bore – Radial and Axial Grooves	£230.00
SK65BZIR15.0	15mm	15mm SK65 BZIR Round Bore – Radial and Axial Grooves	£230.00
SK65BZIR15.5	15.5mm	15.5mm SK65 BZIR Round Bore – Radial and Axial Grooves	£230.00
SK65BZIR0.6250	5/8"	5/8" SK65 BZIR Round Bore – Radial and Axial Grooves	£230.00
SK65BZIR16.0	16mm	16mm SK65 BZIR Round Bore – Radial and Axial Grooves	£230.00



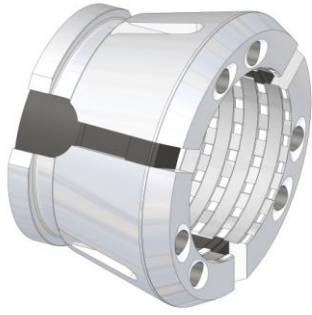
**SK65 BZIR
Round Bore**
(prices do not include VAT)

Part Number	Diameter	Description	Price
SK65BZIR16.5	16.5mm	16.5mm SK65 BZIR Round Bore – Radial and Axial Grooves	£230.00
SK65BZIR17.0	17mm	17mm SK65 BZIR Round Bore – Radial and Axial Grooves	£230.00
SK65BZIR0.6875	11/16"	11/16" SK65 BZIR Round Bore – Radial and Axial Grooves	£230.00
SK65BZIR17.5	17.5mm	17.5mm SK65 BZIR Round Bore – Radial and Axial Grooves	£230.00
SK65BZIR18.0	18mm	18mm SK65 BZIR Round Bore – Radial and Axial Grooves	£230.00
SK65BZIR18.5	18.5mm	18.5mm SK65 BZIR Round Bore – Radial and Axial Grooves	£230.00
SK65BZIR19.0	19mm	19mm SK65 BZIR Round Bore – Radial and Axial Grooves	£230.00
SK65BZIR0.7500	3/4"	3/4" SK65 BZIR Round Bore – Radial and Axial Grooves	£230.00
SK65BZIR19.5	19.5mm	19.5mm SK65 BZIR Round Bore – Radial and Axial Grooves	£230.00
SK65BZIR20.0	20mm	20mm SK65 BZIR Round Bore – Radial and Axial Grooves	£230.00
SK65BZIR20.5	20.5mm	20.5mm SK65 BZIR Round Bore – Radial and Axial Grooves	£230.00
SK65BZIR0.8125	13/16"	13/16" SK65 BZIR Round Bore – Radial and Axial Grooves	£230.00
SK65BZIR21.0	21mm	21mm SK65 BZIR Round Bore – Radial and Axial Grooves	£230.00
SK65BZIR21.5	21.5mm	21.5mm SK65 BZIR Round Bore – Radial and Axial Grooves	£230.00
SK65BZIR22.0	22mm	22mm SK65 BZIR Round Bore – Radial and Axial Grooves	£230.00
SK65BZIR0.8750	7/8"	7/8" SK65 BZIR Round Bore – Radial and Axial Grooves	£230.00
SK65BZIR22.5	22.5mm	22.5mm SK65 BZIR Round Bore – Radial and Axial Grooves	£230.00
SK65BZIR23.0	23mm	23mm SK65 BZIR Round Bore – Radial and Axial Grooves	£230.00
SK65BZIR23.5	23.5mm	23.5mm SK65 BZIR Round Bore – Radial and Axial Grooves	£230.00
SK65BZIR0.9375	15/16"	15/16" SK65 BZIR Round Bore – Radial and Axial Grooves	£230.00
SK65BZIR24.0	24mm	24mm SK65 BZIR Round Bore – Radial and Axial Grooves	£230.00
SK65BZIR24.5	24.5mm	24.5mm SK65 BZIR Round Bore – Radial and Axial Grooves	£230.00



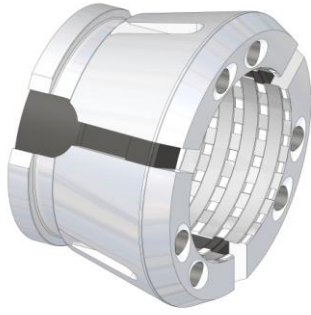
**SK65 BZIR
Round Bore**
(prices do not include VAT)

Part Number	Diameter	Description	Price
SK65BZIR25.0	25mm	25mm SK65 BZIR Round Bore – Radial and Axial Grooves	£230.00
SK65BZIR1.0000	1"	1" SK65 BZIR Round Bore – Radial and Axial Grooves	£230.00
SK65BZIR25.5	25.5mm	25.5mm SK65 BZIR Round Bore – Radial and Axial Grooves	£230.00
SK65BZIR26.0	26mm	26mm SK65 BZIR Round Bore – Radial and Axial Grooves	£230.00
SK65BZIR26.5	26.5mm	26.5mm SK65 BZIR Round Bore – Radial and Axial Grooves	£230.00
SK65BZIR1.0625	1.1/16"	1.1/16" SK65 BZIR Round Bore – Radial and Axial Grooves	£230.00
SK65BZIR27.0	27mm	27mm SK65 BZIR Round Bore – Radial and Axial Grooves	£230.00
SK65BZIR27.5	27.5mm	27.5mm SK65 BZIR Round Bore – Radial and Axial Grooves	£230.00
SK65BZIR28.0	28mm	28mm SK65 BZIR Round Bore – Radial and Axial Grooves	£230.00
SK65BZIR28.5	28.5mm	28.5mm SK65 BZIR Round Bore – Radial and Axial Grooves	£230.00
SK65BZIR1.1250	1.1/8"	1.1/8" SK65 BZIR Round Bore – Radial and Axial Grooves	£230.00
SK65BZIR29.0	29mm	29mm SK65 BZIR Round Bore – Radial and Axial Grooves	£230.00
SK65BZIR29.5	29.5mm	29.5mm SK65 BZIR Round Bore – Radial and Axial Grooves	£230.00
SK65BZIR30.0	30mm	30mm SK65 BZIR Round Bore – Radial and Axial Grooves	£230.00
SK65BZIR1.1875	1.3/16"	1.3/16" SK65 BZIR Round Bore – Radial and Axial Grooves	£230.00
SK65BZIR30.5	30.5mm	30.5mm SK65 BZIR Round Bore – Radial and Axial Grooves	£230.00
SK65BZIR31.0	31mm	31mm SK65 BZIR Round Bore – Radial and Axial Grooves	£230.00
SK65BZIR31.5	31.5mm	31.5mm SK65 BZIR Round Bore – Radial and Axial Grooves	£230.00
SK65BZIR1.2500	1.1/4"	1.1/4" SK65 BZIR Round Bore – Radial and Axial Grooves	£230.00
SK65BZIR32.0	32mm	32mm SK65 BZIR Round Bore – Radial and Axial Grooves	£230.00
SK65BZIR32.5	32.5mm	32.5mm SK65 BZIR Round Bore – Radial and Axial Grooves	£230.00
SK65BZIR33.0	33mm	33mm SK65 BZIR Round Bore – Radial and Axial Grooves	£230.00



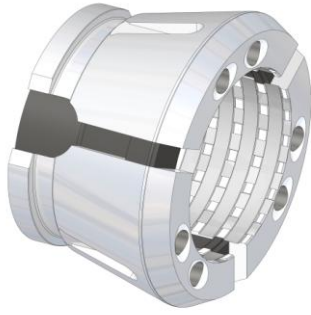
**SK65 BZIR
Round Bore**
(prices do not include VAT)

Part Number	Diameter	Description	Price
SK65BZIR1.3125	1.5/16"	1.5/16" SK65 BZIR Round Bore – Radial and Axial Grooves	£230.00
SK65BZIR33.5	33.5mm	33.5mm SK65 BZIR Round Bore – Radial and Axial Grooves	£230.00
SK65BZIR34.0	34mm	34mm SK65 BZIR Round Bore – Radial and Axial Grooves	£230.00
SK65BZIR34.5	34.5mm	34.5mm SK65 BZIR Round Bore – Radial and Axial Grooves	£230.00
SK65BZIR1.3750	1.3/8"	1.3/8" SK65 BZIR Round Bore – Radial and Axial Grooves	£230.00
SK65BZIR35.0	35mm	35mm SK65 BZIR Round Bore – Radial and Axial Grooves	£230.00
SK65BZIR35.5	35.5mm	35.5mm SK65 BZIR Round Bore – Radial and Axial Grooves	£230.00
SK65BZIR36.0	36mm	36mm SK65 BZIR Round Bore – Radial and Axial Grooves	£230.00
SK65BZIR36.5	36.5mm	36.5mm SK65 BZIR Round Bore – Radial and Axial Grooves	£230.00
SK65BZIR1.4375	1.7/16"	1.7/16" SK65 BZIR Round Bore – Radial and Axial Grooves	£230.00
SK65BZIR37.0	37mm	37mm SK65 BZIR Round Bore – Radial and Axial Grooves	£230.00
SK65BZIR37.5	37.5mm	37.5mm SK65 BZIR Round Bore – Radial and Axial Grooves	£230.00
SK65BZIR38.0	38mm	38mm SK65 BZIR Round Bore – Radial and Axial Grooves	£230.00
SK65BZIR1.5000	1.1/2"	1.1/2" SK65 BZIR Round Bore – Radial and Axial Grooves	£230.00
SK65BZIR38.5	38.5mm	38.5mm SK65 BZIR Round Bore – Radial and Axial Grooves	£230.00
SK65BZIR39.0	39mm	39mm SK65 BZIR Round Bore – Radial and Axial Grooves	£230.00
SK65BZIR39.5	39.5mm	39.5mm SK65 BZIR Round Bore – Radial and Axial Grooves	£230.00
SK65BZIR1.5625	1.9/16"	1.9/16" SK65 BZIR Round Bore – Radial and Axial Grooves	£230.00
SK65BZIR40.0	40mm	40mm SK65 BZIR Round Bore – Radial and Axial Grooves	£230.00
SK65BZIR40.5	40.5mm	40.5mm SK65 BZIR Round Bore – Radial and Axial Grooves	£230.00
SK65BZIR41.0	41mm	41mm SK65 BZIR Round Bore – Radial and Axial Grooves	£230.00
SK65BZIR1.6250	1.5/8"	1.5/8" SK65 BZIR Round Bore – Radial and Axial Grooves	£230.00



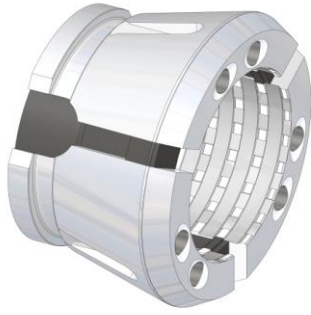
**SK65 BZIR
Round Bore**
(prices do not include VAT)

Part Number	Diameter	Description	Price
SK65BZIR41.5	41.5mm	41.5mm SK65 BZIR Round Bore – Radial and Axial Grooves	£230.00
SK65BZIR42.0	42mm	42mm SK65 BZIR Round Bore – Radial and Axial Grooves	£230.00
SK65BZIR42.5	42.5mm	42.5mm SK65 BZIR Round Bore – Radial and Axial Grooves	£230.00
SK65BZIR1.6875	1.11/16"	1.11/16" SK65 BZIR Round Bore – Radial and Axial Grooves	£230.00
SK65BZIR43.0	43mm	43mm SK65 BZIR Round Bore – Radial and Axial Grooves	£230.00
SK65BZIR43.5	43.5mm	43.5mm SK65 BZIR Round Bore – Radial and Axial Grooves	£230.00
SK65BZIR44.0	44mm	44mm SK65 BZIR Round Bore – Radial and Axial Grooves	£230.00
SK65BZIR1.7500	1.3/4"	1.3/4" SK65 BZIR Round Bore – Radial and Axial Grooves	£230.00
SK65BZIR44.5	44.5mm	44.5mm SK65 BZIR Round Bore – Radial and Axial Grooves	£230.00
SK65BZIR45.0	45mm	45mm SK65 BZIR Round Bore – Radial and Axial Grooves	£230.00
SK65BZIR45.5	45.5mm	45.5mm SK65 BZIR Round Bore – Radial and Axial Grooves	£230.00
SK65BZIR46.0	46mm	46mm SK65 BZIR Round Bore – Radial and Axial Grooves	£230.00
SK65BZIR1.8125	1.13/16"	1.13/16" SK65 BZIR Round Bore – Radial and Axial Grooves	£230.00
SK65BZIR46.5	46.5mm	46.5mm SK65 BZIR Round Bore – Radial and Axial Grooves	£230.00
SK65BZIR47.0	47mm	47mm SK65 BZIR Round Bore – Radial and Axial Grooves	£230.00
SK65BZIR47.5	47.5mm	47.5mm SK65 BZIR Round Bore – Radial and Axial Grooves	£230.00
SK65BZIR1.8750	1.7/8"	1.7/8" SK65 BZIR Round Bore – Radial and Axial Grooves	£230.00
SK65BZIR48.0	48mm	48mm SK65 BZIR Round Bore – Radial and Axial Grooves	£230.00
SK65BZIR48.5	48.5mm	48.5mm SK65 BZIR Round Bore – Radial and Axial Grooves	£230.00
SK65BZIR49.0	49mm	49mm SK65 BZIR Round Bore – Radial and Axial Grooves	£230.00
SK65BZIR1.9375	1.15/16"	1.15/16" SK65 BZIR Round Bore – Radial and Axial Grooves	£230.00
SK65BZIR49.5	49.5mm	49.5mm SK65 BZIR Round Bore – Radial and Axial Grooves	£230.00



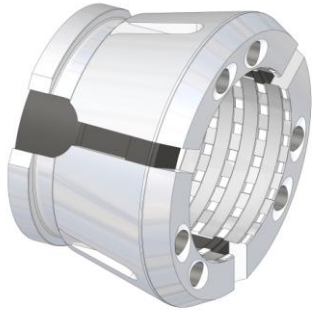
**SK65 BZIR
Round Bore**
(prices do not include VAT)

Part Number	Diameter	Description	Price
SK65BZIR50.0	50mm	50mm SK65 BZIR Round Bore – Radial and Axial Grooves	£230.00
SK65BZIR50.5	50.5mm	50.5mm SK65 BZIR Round Bore – Radial and Axial Grooves	£230.00
SK65BZIR2.0000	2"	2" SK65 BZIR Round Bore – Radial and Axial Grooves	£230.00
SK65BZIR51.0	51mm	51mm SK65 BZIR Round Bore – Radial and Axial Grooves	£230.00
SK65BZIR51.5	51.5mm	51.5mm SK65 BZIR Round Bore – Radial and Axial Grooves	£230.00
SK65BZIR52.0	52mm	52mm SK65 BZIR Round Bore – Radial and Axial Grooves	£230.00
SK65BZIR2.0625	2.1/16"	2.1/16" SK65 BZIR Round Bore – Radial and Axial Grooves	£230.00
SK65BZIR52.5	52.5mm	52.5mm SK65 BZIR Round Bore – Radial and Axial Grooves	£230.00
SK65BZIR53.0	53mm	53mm SK65 BZIR Round Bore – Radial and Axial Grooves	£230.00
SK65BZIR53.5	53.5mm	53.5mm SK65 BZIR Round Bore – Radial and Axial Grooves	£230.00
SK65BZIR2.1250	2.1/8"	2.1/8" SK65 BZIR Round Bore – Radial and Axial Grooves	£230.00
SK65BZIR54.0	54mm	54mm SK65 BZIR Round Bore – Radial and Axial Grooves	£230.00
SK65BZIR54.5	54.5mm	54.5mm SK65 BZIR Round Bore – Radial and Axial Grooves	£230.00
SK65BZIR55.0	55mm	55mm SK65 BZIR Round Bore – Radial and Axial Grooves	£230.00
SK65BZIR55.5	55.5mm	55.5mm SK65 BZIR Round Bore – Radial and Axial Grooves	£230.00
SK65BZIR2.1875	2.3/16"	2.3/16" SK65 BZIR Round Bore – Radial and Axial Grooves	£230.00
SK65BZIR56.0	56mm	56mm SK65 BZIR Round Bore – Radial and Axial Grooves	£230.00
SK65BZIR56.5	56.5mm	56.5mm SK65 BZIR Round Bore – Radial and Axial Grooves	£230.00
SK65BZIR57.0	57mm	57mm SK65 BZIR Round Bore – Radial and Axial Grooves	£230.00
SK65BZIR2.2500	2.1/4"	2.1/4" SK65 BZIR Round Bore – Radial and Axial Grooves	£230.00
SK65BZIR57.5	57.5mm	57.5mm SK65 BZIR Round Bore – Radial and Axial Grooves	£230.00
SK65BZIR58.0	58mm	58mm SK65 BZIR Round Bore – Radial and Axial Grooves	£230.00



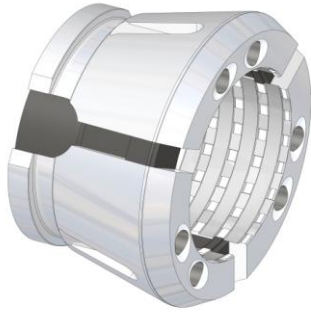
**SK65 BZIR
Round Bore**
(prices do not include VAT)

Part Number	Diameter	Description	Price
SK65BZIR58.5	58.5mm	58.5mm SK65 BZIR Round Bore – Radial and Axial Grooves	£230.00
SK65BZIR2.3125	2.5/16"	2.5/16" SK65 BZIR Round Bore – Radial and Axial Grooves	£230.00
SK65BZIR59.0	59mm	59mm SK65 BZIR Round Bore – Radial and Axial Grooves	£230.00
SK65BZIR59.5	59.5mm	59.5mm SK65 BZIR Round Bore – Radial and Axial Grooves	£230.00
SK65BZIR60.0	60mm	60mm SK65 BZIR Round Bore – Radial and Axial Grooves	£230.00
SK65BZIR2.3750	2.3/8"	2.3/8" SK65 BZIR Round Bore – Radial and Axial Grooves	£230.00
SK65BZIR60.5	60.5mm	60.5mm SK65 BZIR Round Bore – Radial and Axial Grooves	£230.00
SK65BZIR61.0	61mm	61mm SK65 BZIR Round Bore – Radial and Axial Grooves	£230.00
SK65BZIR61.5	61.5mm	61.5mm SK65 BZIR Round Bore – Radial and Axial Grooves	£230.00
SK65BZIR2.4375	2.7/16"	2.7/16" SK65 BZIR Round Bore – Radial and Axial Grooves	£230.00
SK65BZIR62.0	62mm	62mm SK65 BZIR Round Bore – Radial and Axial Grooves	£230.00
SK65BZIR62.5	62.5mm	62.5mm SK65 BZIR Round Bore – Radial and Axial Grooves	£230.00
SK65BZIR63.0	63mm	63mm SK65 BZIR Round Bore – Radial and Axial Grooves	£230.00
SK65BZIR63.5	63.5mm	63.5mm SK65 BZIR Round Bore – Radial and Axial Grooves	£230.00
SK65BZIR2.5000	2.1/2"	2.1/2" SK65 BZIR Round Bore – Radial and Axial Grooves	£230.00
SK65BZIR64.0	64mm	64mm SK65 BZIR Round Bore – Radial and Axial Grooves	£230.00
SK65BZIR64.5	64.5mm	64.5mm SK65 BZIR Round Bore – Radial and Axial Grooves	£230.00
SK65BZIR65.0	65mm	65mm SK65 BZIR Round Bore – Radial and Axial Grooves	£230.00
SK65BZIR2.5625	2.9/16"	2.9/16" SK65 BZIR Round Bore – Radial and Axial Grooves	£230.00



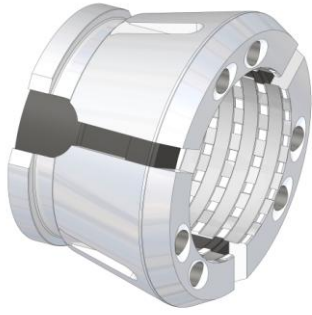
**SK80 BZIR
Round Bore**
(prices do not include VAT)

Part Number	Diameter	Description	Price
SK80BZIR08.0	8mm	8mm SK80 BZIR Round Bore – Radial Grooves	£350.00
SK80BZIR09.0	9mm	9mm SK80 BZIR Round Bore – Radial Grooves	£350.00
SK80BZIR0.3750	3/8"	3/8" SK80 BZIR Round Bore – Radial Grooves	£350.00
SK80BZIR10.0	10mm	10mm SK80 BZIR Round Bore – Radial Grooves	£350.00
SK80BZIR11.0	11mm	11mm SK80 BZIR Round Bore – Radial and Axial Grooves	£350.00
SK80BZIR0.4375	7/16"	7/16" SK80 BZIR Round Bore – Radial and Axial Grooves	£350.00
SK80BZIR12.0	12mm	12mm SK80 BZIR Round Bore – Radial and Axial Grooves	£350.00
SK80BZIR0.5000	1/2"	1/2" SK80 BZIR Round Bore – Radial and Axial Grooves	£350.00
SK80BZIR13.0	13mm	13mm SK80 BZIR Round Bore – Radial and Axial Grooves	£350.00
SK80BZIR14.0	14mm	14mm SK80 BZIR Round Bore – Radial and Axial Grooves	£350.00
SK80BZIR0.5625	9/16"	9/16" SK80 BZIR Round Bore – Radial and Axial Grooves	£350.00
SK80BZIR15.0	15mm	15mm SK80 BZIR Round Bore – Radial and Axial Grooves	£350.00
SK80BZIR0.6250	5/8"	5/8" SK80 BZIR Round Bore – Radial and Axial Grooves	£350.00
SK80BZIR16.0	16mm	16mm SK80 BZIR Round Bore – Radial and Axial Grooves	£350.00
SK80BZIR17.0	17mm	17mm SK80 BZIR Round Bore – Radial and Axial Grooves	£350.00
SK80BZIR0.6875	11/16"	11/16" SK80 BZIR Round Bore – Radial and Axial Grooves	£350.00
SK80BZIR18.0	18mm	18mm SK80 BZIR Round Bore – Radial and Axial Grooves	£350.00
SK80BZIR19.0	19mm	19mm SK80 BZIR Round Bore – Radial and Axial Grooves	£350.00
SK80BZIR0.7500	3/4"	3/4" SK80 BZIR Round Bore – Radial and Axial Grooves	£350.00
SK80BZIR20.0	20mm	20mm SK80 BZIR Round Bore – Radial and Axial Grooves	£350.00
SK80BZIR0.8125	13/16"	13/16" SK80 BZIR Round Bore – Radial and Axial Grooves	£350.00
SK80BZIR21.0	21mm	21mm SK80 BZIR Round Bore – Radial and Axial Grooves	£350.00



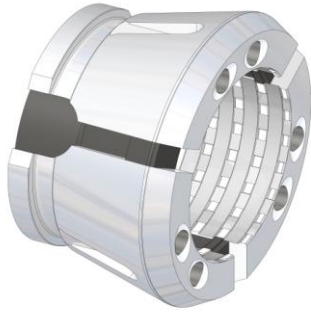
**SK80 BZIR
Round Bore**
(prices do not include VAT)

Part Number	Diameter	Description	Price
SK80BZIR22.0	22mm	22mm SK80 BZIR Round Bore – Radial and Axial Grooves	£350.00
SK80BZIR0.8750	7/8"	7/8" SK80 BZIR Round Bore – Radial and Axial Grooves	£350.00
SK80BZIR23.0	23mm	23mm SK80 BZIR Round Bore – Radial and Axial Grooves	£350.00
SK80BZIR0.9375	15/16"	15/16" SK80 BZIR Round Bore – Radial and Axial Grooves	£350.00
SK80BZIR24.0	24mm	24mm SK80 BZIR Round Bore – Radial and Axial Grooves	£350.00
SK80BZIR25.0	25mm	25mm SK80 BZIR Round Bore – Radial and Axial Grooves	£350.00
SK80BZIR1.0000	1"	1" SK80 BZIR Round Bore – Radial and Axial Grooves	£350.00
SK80BZIR26.0	26mm	26mm SK80 BZIR Round Bore – Radial and Axial Grooves	£350.00
SK80BZIR1.0625	1.1/16"	1.1/16" SK80 BZIR Round Bore – Radial and Axial Grooves	£350.00
SK80BZIR27.0	27mm	27mm SK80 BZIR Round Bore – Radial and Axial Grooves	£350.00
SK80BZIR28.0	28mm	28mm SK80 BZIR Round Bore – Radial and Axial Grooves	£350.00
SK80BZIR1.1250	1.1/8"	1.1/8" SK80 BZIR Round Bore – Radial and Axial Grooves	£350.00
SK80BZIR29.0	29mm	29mm SK80 BZIR Round Bore – Radial and Axial Grooves	£350.00
SK80BZIR30.0	30mm	30mm SK80 BZIR Round Bore – Radial and Axial Grooves	£350.00
SK80BZIR1.1875	1.3/16"	1.3/16" SK80 BZIR Round Bore – Radial and Axial Grooves	£350.00
SK80BZIR31.0	31mm	31mm SK80 BZIR Round Bore – Radial and Axial Grooves	£350.00
SK80BZIR1.2500	1.1/4"	1.1/4" SK80 BZIR Round Bore – Radial and Axial Grooves	£350.00
SK80BZIR32.0	32mm	32mm SK80 BZIR Round Bore – Radial and Axial Grooves	£350.00
SK80BZIR33.0	33mm	33mm SK80 BZIR Round Bore – Radial and Axial Grooves	£350.00
SK80BZIR1.3125	1.5/16"	1.5/16" SK80 BZIR Round Bore – Radial and Axial Grooves	£350.00
SK80BZIR34.0	34mm	34mm SK80 BZIR Round Bore – Radial and Axial Grooves	£350.00
SK80BZIR1.3750	1.3/8"	1.3/8" SK80 BZIR Round Bore – Radial and Axial Grooves	£350.00



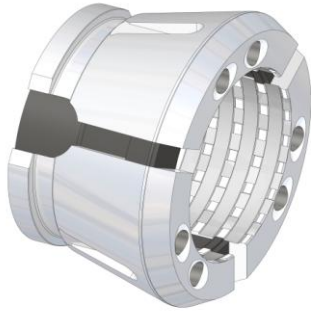
**SK80 BZIR
Round Bore**
(prices do not include VAT)

Part Number	Diameter	Description	Price
SK80BZIR35.0	35mm	35mm SK80 BZIR Round Bore – Radial and Axial Grooves	£350.00
SK80BZIR36.0	36mm	36mm SK80 BZIR Round Bore – Radial and Axial Grooves	£350.00
SK80BZIR1.4375	1.7/16"	1.7/16" SK80 BZIR Round Bore – Radial and Axial Grooves	£350.00
SK80BZIR37.0	37mm	37mm SK80 BZIR Round Bore – Radial and Axial Grooves	£350.00
SK80BZIR38.0	38mm	38mm SK80 BZIR Round Bore – Radial and Axial Grooves	£350.00
SK80BZIR1.5000	1.1/2"	1.1/2" SK80 BZIR Round Bore – Radial and Axial Grooves	£350.00
SK80BZIR39.0	39mm	39mm SK80 BZIR Round Bore – Radial and Axial Grooves	£350.00
SK80BZIR1.5625	1.9/16"	1.9/16" SK80 BZIR Round Bore – Radial and Axial Grooves	£350.00
SK80BZIR40.0	40mm	40mm SK80 BZIR Round Bore – Radial and Axial Grooves	£350.00
SK80BZIR41.0	41mm	41mm SK80 BZIR Round Bore – Radial and Axial Grooves	£350.00
SK80BZIR1.6250	1.5/8"	1.5/8" SK80 BZIR Round Bore – Radial and Axial Grooves	£350.00
SK80BZIR42.0	42mm	42mm SK80 BZIR Round Bore – Radial and Axial Grooves	£350.00
SK80BZIR1.6875	1.11/16"	1.11/16" SK80 BZIR Round Bore – Radial and Axial Grooves	£350.00
SK80BZIR43.0	43mm	43mm SK80 BZIR Round Bore – Radial and Axial Grooves	£350.00
SK80BZIR44.0	44mm	44mm SK80 BZIR Round Bore – Radial and Axial Grooves	£350.00
SK80BZIR1.7500	1.3/4"	1.3/4" SK80 BZIR Round Bore – Radial and Axial Grooves	£350.00
SK80BZIR45.0	45mm	45mm SK80 BZIR Round Bore – Radial and Axial Grooves	£350.00
SK80BZIR46.0	46mm	46mm SK80 BZIR Round Bore – Radial and Axial Grooves	£350.00
SK80BZIR1.8125	1.13/16"	1.13/16" SK80 BZIR Round Bore – Radial and Axial Grooves	£350.00
SK80BZIR47.0	47mm	47mm SK80 BZIR Round Bore – Radial and Axial Grooves	£350.00
SK80BZIR1.8750	1.7/8"	1.7/8" SK80 BZIR Round Bore – Radial and Axial Grooves	£350.00
SK80BZIR48.0	48mm	48mm SK80 BZIR Round Bore – Radial and Axial Grooves	£350.00



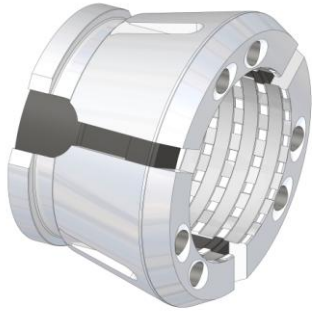
**SK80 BZIR
Round Bore**
(prices do not include VAT)

Part Number	Diameter	Description	Price
SK80BZIR49.0	49mm	49mm SK80 BZIR Round Bore – Radial and Axial Grooves	£350.00
SK80BZIR1.9375	1.15/16"	1.15/16" SK80 BZIR Round Bore – Radial and Axial Grooves	£350.00
SK80BZIR50.0	50mm	50mm SK80 BZIR Round Bore – Radial and Axial Grooves	£350.00
SK80BZIR2.0000	2"	2" SK80 BZIR Round Bore – Radial and Axial Grooves	£350.00
SK80BZIR51.0	51mm	51mm SK80 BZIR Round Bore – Radial and Axial Grooves	£350.00
SK80BZIR52.0	52mm	52mm SK80 BZIR Round Bore – Radial and Axial Grooves	£350.00
SK80BZIR2.0625	2.1/16"	2.1/16" SK80 BZIR Round Bore – Radial and Axial Grooves	£350.00
SK80BZIR53.0	53mm	53mm SK80 BZIR Round Bore – Radial and Axial Grooves	£350.00
SK80BZIR2.1250	2.1/8"	2.1/8" SK80 BZIR Round Bore – Radial and Axial Grooves	£350.00
SK80BZIR54.0	54mm	54mm SK80 BZIR Round Bore – Radial and Axial Grooves	£350.00
SK80BZIR55.0	55mm	55mm SK80 BZIR Round Bore – Radial and Axial Grooves	£350.00
SK80BZIR2.1875	2.3/16"	2.3/16" SK80 BZIR Round Bore – Radial and Axial Grooves	£350.00
SK80BZIR56.0	56mm	56mm SK80 BZIR Round Bore – Radial and Axial Grooves	£350.00
SK80BZIR57.0	57mm	57mm SK80 BZIR Round Bore – Radial and Axial Grooves	£350.00
SK80BZIR2.2500	2.1/4"	2.1/4" SK80 BZIR Round Bore – Radial and Axial Grooves	£350.00
SK80BZIR58.0	58mm	58mm SK80 BZIR Round Bore – Radial and Axial Grooves	£350.00
SK80BZIR2.3125	2.5/16"	2.5/16" SK80 BZIR Round Bore – Radial and Axial Grooves	£350.00
SK80BZIR59.0	59mm	59mm SK80 BZIR Round Bore – Radial and Axial Grooves	£350.00
SK80BZIR60.0	60mm	60mm SK80 BZIR Round Bore – Radial and Axial Grooves	£350.00
SK80BZIR2.3750	2.3/8"	2.3/8" SK80 BZIR Round Bore – Radial and Axial Grooves	£350.00
SK80BZIR61.0	61mm	61mm SK80 BZIR Round Bore – Radial and Axial Grooves	£350.00
SK80BZIR2.4375	2.7/16"	2.7/16" SK80 BZIR Round Bore – Radial and Axial Grooves	£350.00



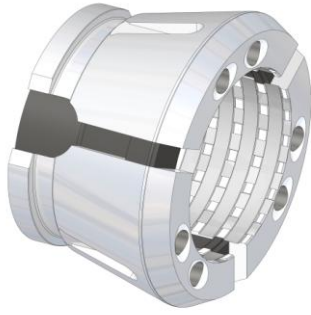
**SK80 BZIR
Round Bore**
(prices do not include VAT)

Part Number	Diameter	Description	Price
SK80BZIR62.0	62mm	62mm SK80 BZIR Round Bore – Radial and Axial Grooves	£350.00
SK80BZIR63.0	63mm	63mm SK80 BZIR Round Bore – Radial and Axial Grooves	£350.00
SK80BZIR2.5000	2.1/2"	2.1/2" SK80 BZIR Round Bore – Radial and Axial Grooves	£350.00
SK80BZIR64.0	64mm	64mm SK80 BZIR Round Bore – Radial and Axial Grooves	£350.00
SK80BZIR65.0	65mm	65mm SK80 BZIR Round Bore – Radial and Axial Grooves	£350.00
SK80BZIR2.5625	2.9/16"	2.9/16" SK80 BZIR Round Bore – Radial and Axial Grooves	£350.00
SK80BZIR66.0	66mm	66mm SK80 BZIR Round Bore – Radial and Axial Grooves	£350.00
SK80BZIR2.6250	2.5/8"	2.5/8" SK80 BZIR Round Bore – Radial and Axial Grooves	£350.00
SK80BZIR67.0	67mm	67mm SK80 BZIR Round Bore – Radial and Axial Grooves	£350.00
SK80BZIR68.0	68mm	68mm SK80 BZIR Round Bore – Radial and Axial Grooves	£350.00
SK80BZIR2.6875	2.11/16"	2.11/16" SK80 BZIR Round Bore – Radial and Axial Grooves	£350.00
SK80BZIR69.0	69mm	69mm SK80 BZIR Round Bore – Radial and Axial Grooves	£350.00
SK80BZIR2.7500	2.3/4"	2.3/4" SK80 BZIR Round Bore – Radial and Axial Grooves	£350.00
SK80BZIR70.0	70mm	70mm SK80 BZIR Round Bore – Radial and Axial Grooves	£350.00
SK80BZIR71.0	71mm	71mm SK80 BZIR Round Bore – Radial and Axial Grooves	£350.00
SK80BZIR2.8125	2.13/16"	2.13/16" SK80 BZIR Round Bore – Radial and Axial Grooves	£350.00
SK80BZIR72.0	72mm	72mm SK80 BZIR Round Bore – Radial and Axial Grooves	£350.00
SK80BZIR73.0	73mm	73mm SK80 BZIR Round Bore – Radial and Axial Grooves	£350.00
SK80BZIR2.8750	2.7/8"	2.7/8" SK80 BZIR Round Bore – Radial and Axial Grooves	£350.00
SK80BZIR74.0	74mm	74mm SK80 BZIR Round Bore – Radial and Axial Grooves	£350.00
SK80BZIR2.9375	2.15/16"	2.15/16" SK80 BZIR Round Bore – Radial and Axial Grooves	£350.00
SK80BZIR75.0	75mm	75mm SK80 BZIR Round Bore – Radial and Axial Grooves	£350.00



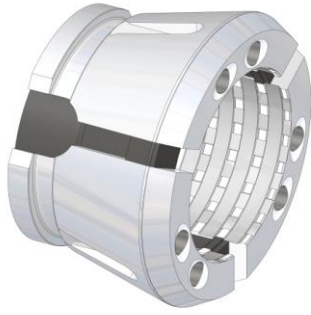
**SK80 BZIR
Round Bore**
(prices do not include VAT)

Part Number	Diameter	Description	Price
SK80BZIR76.0	76mm	76mm SK80 BZIR Round Bore – Radial and Axial Grooves	£350.00
SK80BZIR3.0000	3"	3" SK80 BZIR Round Bore – Radial and Axial Grooves	£350.00
SK80BZIR77.0	77mm	77mm SK80 BZIR Round Bore – Radial and Axial Grooves	£350.00
SK80BZIR3.0625	3.1/16"	3.1/16" SK80 BZIR Round Bore – Radial and Axial Grooves	£350.00
SK80BZIR78.0	78mm	78mm SK80 BZIR Round Bore – Radial and Axial Grooves	£350.00
SK80BZIR79.0	79mm	79mm SK80 BZIR Round Bore – Radial and Axial Grooves	£350.00
SK80BZIR3.1250	3.1/8"	3.1/8" SK80 BZIR Round Bore – Radial and Axial Grooves	£350.00
SK80BZIR80.0	80mm	80mm SK80 BZIR Round Bore – Radial and Axial Grooves	£350.00



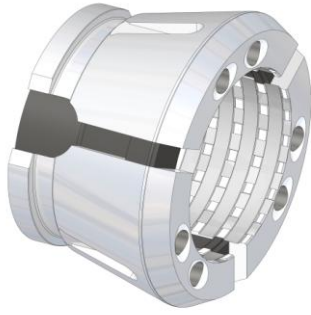
**SK100 BZR
Round Bore**
(prices do not include VAT)

Part Number	Diameter	Description	Price
SK100BZR15.0	15mm	15mm SK100 BZR Round Bore – Radial Grooves	£481.00
SK100BZR0.6250	5/8"	5/8" SK100 BZR Round Bore – Radial Grooves	£481.00
SK100BZR16.0	16mm	16mm SK100 BZR Round Bore – Radial Grooves	£481.00
SK100BZR17.0	17mm	17mm SK100 BZR Round Bore – Radial Grooves	£481.00
SK100BZR0.6875	11/16"	11/16" SK100 BZR Round Bore – Radial Grooves	£481.00
SK100BZR18.0	18mm	18mm SK100 BZR Round Bore – Radial Grooves	£481.00
SK100BZR19.0	19mm	19mm SK100 BZR Round Bore – Radial Grooves	£481.00
SK100BZR0.7500	3/4"	3/4" SK100 BZR Round Bore – Radial Grooves	£481.00
SK100BZR20.0	20mm	20mm SK100 BZR Round Bore – Radial Grooves	£481.00
SK100BZR0.8125	13/16"	13/16" SK100 BZR Round Bore – Radial Grooves	£481.00
SK100BZR21.0	21mm	21mm SK100 BZR Round Bore – Radial Grooves	£481.00
SK100BZR22.0	22mm	22mm SK100 BZR Round Bore – Radial Grooves	£481.00
SK100BZR0.8750	7/8"	7/8" SK100 BZR Round Bore – Radial Grooves	£481.00
SK100BZR23.0	23mm	23mm SK100 BZR Round Bore – Radial Grooves	£481.00
SK100BZR0.9375	15/16"	15/16" SK100 BZR Round Bore – Radial Grooves	£481.00
SK100BZR24.0	24mm	24mm SK100 BZR Round Bore – Radial Grooves	£481.00
SK100BZR25.0	25mm	25mm SK100 BZR Round Bore – Radial and Axial Grooves	£481.00
SK100BZR1.0000	1"	1" SK100 BZR Round Bore – Radial and Axial Grooves	£481.00
SK100BZR26.0	26mm	26mm SK100 BZR Round Bore – Radial and Axial Grooves	£481.00
SK100BZR1.0625	1.1/16"	1.1/16" SK100 BZR Round Bore – Radial and Axial Grooves	£481.00
SK100BZR27.0	27mm	27mm SK100 BZR Round Bore – Radial and Axial Grooves	£481.00
SK100BZR28.0	28mm	28mm SK100 BZR Round Bore – Radial and Axial Grooves	£481.00



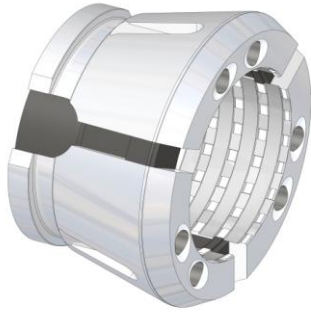
**SK100 BZR
Round Bore**
(prices do not include VAT)

Part Number	Diameter	Description	Price
SK100BZR1.1250	1.1/8"	1.1/8" SK100 BZR Round Bore – Radial and Axial Grooves	£481.00
SK100BZR29.0	29mm	29mm SK100 BZR Round Bore – Radial and Axial Grooves	£481.00
SK100BZR30.0	30mm	30mm SK100 BZR Round Bore – Radial and Axial Grooves	£481.00
SK100BZR1.1875	1.3/16"	1.3/16" SK100 BZR Round Bore – Radial and Axial Grooves	£481.00
SK100BZR31.0	31mm	31mm SK100 BZR Round Bore – Radial and Axial Grooves	£481.00
SK100BZR1.2500	1.1/4"	1.1/4" SK100 BZR Round Bore – Radial and Axial Grooves	£481.00
SK100BZR32.0	32mm	32mm SK100 BZR Round Bore – Radial and Axial Grooves	£481.00
SK100BZR33.0	33mm	33mm SK100 BZR Round Bore – Radial and Axial Grooves	£481.00
SK100BZR1.3125	1.5/16"	1.5/16" SK100 BZR Round Bore – Radial and Axial Grooves	£481.00
SK100BZR34.0	34mm	34mm SK100 BZR Round Bore – Radial and Axial Grooves	£481.00
SK100BZR1.3750	1.3/8"	1.3/8" SK100 BZR Round Bore – Radial and Axial Grooves	£481.00
SK100BZR35.0	35mm	35mm SK100 BZR Round Bore – Radial and Axial Grooves	£481.00
SK100BZR36.0	36mm	36mm SK100 BZR Round Bore – Radial and Axial Grooves	£481.00
SK100BZR1.4375	1.7/16"	1.7/16" SK100 BZR Round Bore – Radial and Axial Grooves	£481.00
SK100BZR37.0	37mm	37mm SK100 BZR Round Bore – Radial and Axial Grooves	£481.00
SK100BZR38.0	38mm	38mm SK100 BZR Round Bore – Radial and Axial Grooves	£481.00
SK100BZR1.5000	1.1/2"	1.1/2" SK100 BZR Round Bore – Radial and Axial Grooves	£481.00
SK100BZR39.0	39mm	39mm SK100 BZR Round Bore – Radial and Axial Grooves	£481.00
SK100BZR1.5625	1.9/16"	1.9/16" SK100 BZR Round Bore – Radial and Axial Grooves	£481.00
SK100BZR40.0	40mm	40mm SK100 BZR Round Bore – Radial and Axial Grooves	£481.00
SK100BZR41.0	41mm	41mm SK100 BZR Round Bore – Radial and Axial Grooves	£481.00
SK100BZR1.6250	1.5/8"	1.5/8" SK100 BZR Round Bore – Radial and Axial Grooves	£481.00



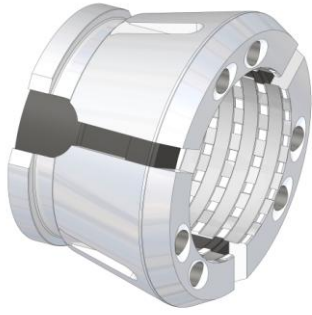
**SK100 BZR
Round Bore**
(prices do not include VAT)

Part Number	Diameter	Description	Price
SK100BZR42.0	42mm	42mm SK100 BZR Round Bore – Radial and Axial Grooves	£481.00
SK100BZR1.6875	1.11/16"	1.11/16" SK100 BZR Round Bore – Radial and Axial Grooves	£481.00
SK100BZR43.0	43mm	43mm SK100 BZR Round Bore – Radial and Axial Grooves	£481.00
SK100BZR44.0	44mm	44mm SK100 BZR Round Bore – Radial and Axial Grooves	£481.00
SK100BZR1.7500	1.3/4"	1.3/4" SK100 BZR Round Bore – Radial and Axial Grooves	£481.00
SK100BZR45.0	45mm	45mm SK100 BZR Round Bore – Radial and Axial Grooves	£481.00
SK100BZR46.0	46mm	46mm SK100 BZR Round Bore – Radial and Axial Grooves	£481.00
SK100BZR1.8125	1.13/16"	1.13/16" SK100 BZR Round Bore – Radial and Axial Grooves	£481.00
SK100BZR47.0	47mm	47mm SK100 BZR Round Bore – Radial and Axial Grooves	£481.00
SK100BZR1.8750	1.7/8"	1.7/8" SK100 BZR Round Bore – Radial and Axial Grooves	£481.00
SK100BZR48.0	48mm	48mm SK100 BZR Round Bore – Radial and Axial Grooves	£481.00
SK100BZR49.0	49mm	49mm SK100 BZR Round Bore – Radial and Axial Grooves	£481.00
SK100BZR1.9375	1.15/16"	1.15/16" SK100 BZR Round Bore – Radial and Axial Grooves	£481.00
SK100BZR50.0	50mm	50mm SK100 BZR Round Bore – Radial and Axial Grooves	£481.00
SK100BZR2.0000	2"	2" SK100 BZR Round Bore – Radial and Axial Grooves	£481.00
SK100BZR51.0	51mm	51mm SK100 BZR Round Bore – Radial and Axial Grooves	£481.00
SK100BZR52.0	52mm	52mm SK100 BZR Round Bore – Radial and Axial Grooves	£481.00
SK100BZR2.0625	2.1/16"	2.1/16" SK100 BZR Round Bore – Radial and Axial Grooves	£481.00
SK100BZR53.0	53mm	53mm SK100 BZR Round Bore – Radial and Axial Grooves	£481.00
SK100BZR2.1250	2.1/8"	2.1/8" SK100 BZR Round Bore – Radial and Axial Grooves	£481.00
SK100BZR54.0	54mm	54mm SK100 BZR Round Bore – Radial and Axial Grooves	£481.00
SK100BZR55.0	55mm	55mm SK100 BZR Round Bore – Radial and Axial Grooves	£481.00



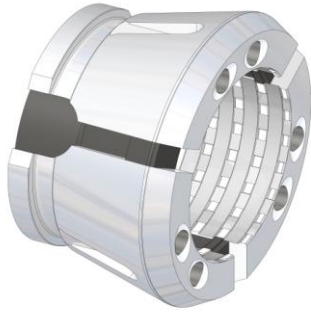
**SK100 BZR
Round Bore**
(prices do not include VAT)

Part Number	Diameter	Description	Price
SK100BZR2.1875	2.3/16"	2.3/16" SK100 BZR Round Bore – Radial and Axial Grooves	£481.00
SK100BZR56.0	56mm	56mm SK100 BZR Round Bore – Radial and Axial Grooves	£481.00
SK100BZR57.0	57mm	57mm SK100 BZR Round Bore – Radial and Axial Grooves	£481.00
SK100BZR2.2500	2.1/4"	2.1/4" SK100 BZR Round Bore – Radial and Axial Grooves	£481.00
SK100BZR58.0	58mm	58mm SK100 BZR Round Bore – Radial and Axial Grooves	£481.00
SK100BZR2.3125	2.5/16"	2.5/16" SK100 BZR Round Bore – Radial and Axial Grooves	£481.00
SK100BZR59.0	59mm	59mm SK100 BZR Round Bore – Radial and Axial Grooves	£481.00
SK100BZR60.0	60mm	60mm SK100 BZR Round Bore – Radial and Axial Grooves	£481.00
SK100BZR2.3750	2.3/8"	2.3/8" SK100 BZR Round Bore – Radial and Axial Grooves	£481.00
SK100BZR61.0	61mm	61mm SK100 BZR Round Bore – Radial and Axial Grooves	£481.00
SK100BZR2.4375	2.7/16"	2.7/16" SK100 BZR Round Bore – Radial and Axial Grooves	£481.00
SK100BZR62.0	62mm	62mm SK100 BZR Round Bore – Radial and Axial Grooves	£481.00
SK100BZR63.0	63mm	63mm SK100 BZR Round Bore – Radial and Axial Grooves	£481.00
SK100BZR2.5000	2.1/2"	2.1/2" SK100 BZR Round Bore – Radial and Axial Grooves	£481.00
SK100BZR64.0	64mm	64mm SK100 BZR Round Bore – Radial and Axial Grooves	£481.00
SK100BZR65.0	65mm	65mm SK100 BZR Round Bore – Radial and Axial Grooves	£481.00
SK100BZR2.5625	2.9/16"	2.9/16" SK100 BZR Round Bore – Radial and Axial Grooves	£481.00
SK100BZR66.0	66mm	66mm SK100 BZR Round Bore – Radial and Axial Grooves	£481.00
SK100BZR2.6250	2.5/8"	2.5/8" SK100 BZR Round Bore – Radial and Axial Grooves	£481.00
SK100BZR67.0	67mm	67mm SK100 BZR Round Bore – Radial and Axial Grooves	£481.00
SK100BZR68.0	68mm	68mm SK100 BZR Round Bore – Radial and Axial Grooves	£481.00
SK100BZR2.6875	2.11/16"	2.11/16" SK100 BZR Round Bore – Radial and Axial Grooves	£481.00



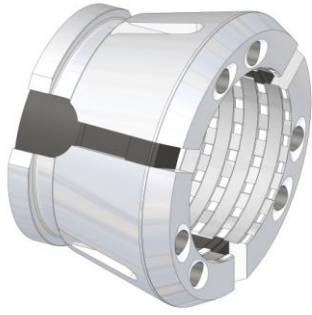
**SK100 BZR
Round Bore**
(prices do not include VAT)

Part Number	Diameter	Description	Price
SK100BZR69.0	69mm	69mm SK100 BZR Round Bore – Radial and Axial Grooves	£481.00
SK100BZR2.7500	2.3/4"	2.3/4" SK100 BZR Round Bore – Radial and Axial Grooves	£481.00
SK100BZR70.0	70mm	70mm SK100 BZR Round Bore – Radial and Axial Grooves	£481.00
SK100BZR71.0	71mm	71mm SK100 BZR Round Bore – Radial and Axial Grooves	£481.00
SK100BZR2.8125	2.13/16"	2.13/16" SK100 BZR Round Bore – Radial and Axial Grooves	£481.00
SK100BZR72.0	72mm	72mm SK100 BZR Round Bore – Radial and Axial Grooves	£481.00
SK100BZR73.0	73mm	73mm SK100 BZR Round Bore – Radial and Axial Grooves	£481.00
SK100BZR2.8750	2.7/8"	2.7/8" SK100 BZR Round Bore – Radial and Axial Grooves	£481.00
SK100BZR74.0	74mm	74mm SK100 BZR Round Bore – Radial and Axial Grooves	£481.00
SK100BZR2.9375	2.15/16"	2.15/16" SK100 BZR Round Bore – Radial and Axial Grooves	£481.00
SK100BZR75.0	75mm	75mm SK100 BZR Round Bore – Radial and Axial Grooves	£481.00
SK100BZR76.0	76mm	76mm SK100 BZR Round Bore – Radial and Axial Grooves	£481.00
SK100BZR3.0000	3"	3" SK100 BZR Round Bore – Radial and Axial Grooves	£481.00
SK100BZR77.0	77mm	77mm SK100 BZR Round Bore – Radial and Axial Grooves	£481.00
SK100BZR3.0625	3.1/16"	3.1/16" SK100 BZR Round Bore – Radial and Axial Grooves	£481.00
SK100BZR78.0	78mm	78mm SK100 BZR Round Bore – Radial and Axial Grooves	£481.00
SK100BZR79.0	79mm	79mm SK100 BZR Round Bore – Radial and Axial Grooves	£481.00
SK100BZR3.1250	3.1/8"	3.1/8" SK100 BZR Round Bore – Radial and Axial Grooves	£481.00
SK100BZR80.0	80mm	80mm SK100 BZR Round Bore – Radial and Axial Grooves	£481.00
SK100BZR3.1875	3.3/16"	3.3/16" SK100 BZR Round Bore – Radial and Axial Grooves	£481.00
SK100BZR81.0	81mm	81mm SK100 BZR Round Bore – Radial and Axial Grooves	£481.00
SK100BZR82.0	82mm	82mm SK100 BZR Round Bore – Radial and Axial Grooves	£481.00



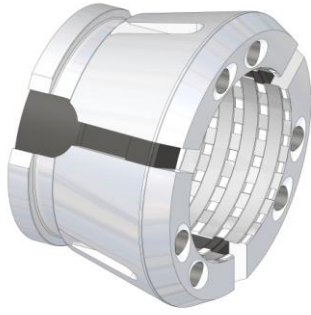
**SK100 BZR
Round Bore**
(prices do not include VAT)

Part Number	Diameter	Description	Price
SK100BZR3.2500	3.1/4"	3.1/4" SK100 BZR Round Bore – Radial and Axial Grooves	£481.00
SK100BZR83.0	83mm	83mm SK100 BZR Round Bore – Radial and Axial Grooves	£481.00
SK100BZR84.0	84mm	84mm SK100 BZR Round Bore – Radial and Axial Grooves	£481.00
SK100BZR3.3125	3.5/16"	3.5/16" SK100 BZR Round Bore – Radial and Axial Grooves	£481.00
SK100BZR85.0	85mm	85mm SK100 BZR Round Bore – Radial and Axial Grooves	£481.00
SK100BZR3.3750	3.3/8"	3.3/8" SK100 BZR Round Bore – Radial and Axial Grooves	£481.00
SK100BZR86.0	86mm	86mm SK100 BZR Round Bore – Radial and Axial Grooves	£481.00
SK100BZR87.0	87mm	87mm SK100 BZR Round Bore – Radial and Axial Grooves	£481.00
SK100BZR3.4375	3.7/16"	3.7/16" SK100 BZR Round Bore – Radial and Axial Grooves	£481.00
SK100BZR88.0	88mm	88mm SK100 BZR Round Bore – Radial and Axial Grooves	£481.00
SK100BZR3.5000	3.1/2"	3.1/2" SK100 BZR Round Bore – Radial and Axial Grooves	£481.00
SK100BZR89.0	89mm	89mm SK100 BZR Round Bore – Radial and Axial Grooves	£481.00
SK100BZR90.0	90mm	90mm SK100 BZR Round Bore – Radial and Axial Grooves	£481.00
SK100BZR3.5625	3.9/16"	3.9/16" SK100 BZR Round Bore – Radial and Axial Grooves	£481.00
SK100BZR91.0	91mm	91mm SK100 BZR Round Bore – Radial and Axial Grooves	£481.00
SK100BZR92.0	92mm	92mm SK100 BZR Round Bore – Radial and Axial Grooves	£481.00
SK100BZR3.6250	3.5/8"	3.5/8" SK100 BZR Round Bore – Radial and Axial Grooves	£481.00
SK100BZR93.0	93mm	93mm SK100 BZR Round Bore – Radial and Axial Grooves	£481.00
SK100BZR3.6875	3.11/16"	3.11/16" SK100 BZR Round Bore – Radial and Axial Grooves	£481.00
SK100BZR94.0	94mm	94mm SK100 BZR Round Bore – Radial and Axial Grooves	£481.00
SK100BZR95.0	95mm	95mm SK100 BZR Round Bore – Radial and Axial Grooves	£481.00
SK100BZR3.7500	3.3/4"	3.3/4" SK100 BZR Round Bore – Radial and Axial Grooves	£481.00



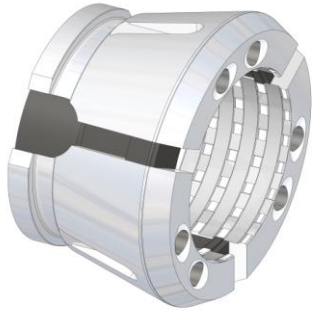
**SK100 BZR
Round Bore**
(prices do not include VAT)

Part Number	Diameter	Description	Price
SK100BZR96.0	96mm	96mm SK100 BZR Round Bore – Radial and Axial Grooves	£481.00
SK100BZR3.8125	3.13/16"	3.13/16" SK100 BZR Round Bore – Radial and Axial Grooves	£481.00
SK100BZR97.0	97mm	97mm SK100 BZR Round Bore – Radial and Axial Grooves	£481.00
SK100BZR98.0	98mm	98mm SK100 BZR Round Bore – Radial and Axial Grooves	£481.00
SK100BZR3.8750	3.7/8"	3.7/8" SK100 BZR Round Bore – Radial and Axial Grooves	£481.00
SK100BZR99.0	99mm	99mm SK100 BZR Round Bore – Radial and Axial Grooves	£481.00
SK100BZR100.0	100mm	100mm SK100 BZR Round Bore – Radial and Axial Grooves	£481.00
SK100BZR3.9375	3.15/16"	3.15/16" SK100 BZR Round Bore – Radial and Axial Grooves	£481.00



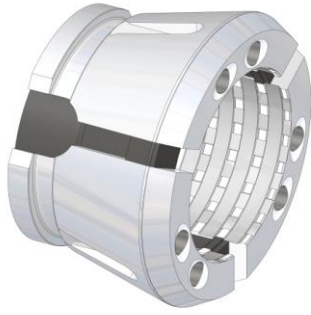
**SK125 BZR
Round Bore**
(prices do not include VAT)

Part Number	Diameter	Description	Price
SK125BZR25.0	25mm	25mm SK125 BZR Round Bore – Radial and Axial Grooves	POA
SK125BZR1.0000	1"	1" SK125 BZR Round Bore – Radial and Axial Grooves	POA
SK125BZR26.0	26mm	26mm SK125 BZR Round Bore – Radial and Axial Grooves	POA
SK125BZR1.0625	1.1/16"	1.1/16" SK125 BZR Round Bore – Radial and Axial Grooves	POA
SK125BZR27.0	27mm	27mm SK125 BZR Round Bore – Radial and Axial Grooves	POA
SK125BZR28.0	28mm	28mm SK125 BZR Round Bore – Radial and Axial Grooves	POA
SK125BZR1.1250	1.1/8"	1.1/8" SK125 BZR Round Bore – Radial and Axial Grooves	POA
SK125BZR29.0	29mm	29mm SK125 BZR Round Bore – Radial and Axial Grooves	POA
SK125BZR30.0	30mm	30mm SK125 BZR Round Bore – Radial and Axial Grooves	POA
SK125BZR1.1875	1.3/16"	1.3/16" SK125 BZR Round Bore – Radial and Axial Grooves	POA
SK125BZR31.0	31mm	31mm SK125 BZR Round Bore – Radial and Axial Grooves	POA
SK125BZR1.2500	1.1/4"	1.1/4" SK125 BZR Round Bore – Radial and Axial Grooves	POA
SK125BZR32.0	32mm	32mm SK125 BZR Round Bore – Radial and Axial Grooves	POA
SK125BZR33.0	33mm	33mm SK125 BZR Round Bore – Radial and Axial Grooves	POA
SK125BZR1.3125	1.5/16"	1.5/16" SK125 BZR Round Bore – Radial and Axial Grooves	POA
SK125BZR34.0	34mm	34mm SK125 BZR Round Bore – Radial and Axial Grooves	POA
SK125BZR1.3750	1.3/8"	1.3/8" SK125 BZR Round Bore – Radial and Axial Grooves	POA
SK125BZR35.0	35mm	35mm SK125 BZR Round Bore – Radial and Axial Grooves	POA
SK125BZR36.0	36mm	36mm SK125 BZR Round Bore – Radial and Axial Grooves	POA
SK125BZR1.4375	1.7/16"	1.7/16" SK125 BZR Round Bore – Radial and Axial Grooves	POA
SK125BZR37.0	37mm	37mm SK125 BZR Round Bore – Radial and Axial Grooves	POA
SK125BZR38.0	38mm	38mm SK125 BZR Round Bore – Radial and Axial Grooves	POA



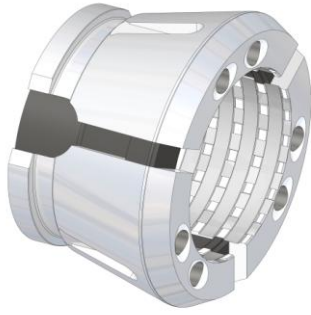
**SK125 BZR
Round Bore**
(prices do not include VAT)

Part Number	Diameter	Description	Price
SK125BZR1.5000	1.1/2"	1.1/2" SK125 BZR Round Bore – Radial and Axial Grooves	POA
SK125BZR39.0	39mm	39mm SK125 BZR Round Bore – Radial and Axial Grooves	POA
SK125BZR1.5625	1.9/16"	1.9/16" SK125 BZR Round Bore – Radial and Axial Grooves	POA
SK125BZR40.0	40mm	40mm SK125 BZR Round Bore – Radial and Axial Grooves	POA
SK125BZR41.0	41mm	41mm SK125 BZR Round Bore – Radial and Axial Grooves	POA
SK125BZR1.6250	1.5/8"	1.5/8" SK125 BZR Round Bore – Radial and Axial Grooves	POA
SK125BZR42.0	42mm	42mm SK125 BZR Round Bore – Radial and Axial Grooves	POA
SK125BZR1.6875	1.11/16"	1.11/16" SK125 BZR Round Bore – Radial and Axial Grooves	POA
SK125BZR43.0	43mm	43mm SK125 BZR Round Bore – Radial and Axial Grooves	POA
SK125BZR44.0	44mm	44mm SK125 BZR Round Bore – Radial and Axial Grooves	POA
SK125BZR1.7500	1.3/4"	1.3/4" SK125 BZR Round Bore – Radial and Axial Grooves	POA
SK125BZR45.0	45mm	45mm SK125 BZR Round Bore – Radial and Axial Grooves	POA
SK125BZR46.0	46mm	46mm SK125 BZR Round Bore – Radial and Axial Grooves	POA
SK125BZR1.8125	1.13/16"	1.13/16" SK125 BZR Round Bore – Radial and Axial Grooves	POA
SK125BZR47.0	47mm	47mm SK125 BZR Round Bore – Radial and Axial Grooves	POA
SK125BZR1.8750	1.7/8"	1.7/8" SK125 BZR Round Bore – Radial and Axial Grooves	POA
SK125BZR48.0	48mm	48mm SK125 BZR Round Bore – Radial and Axial Grooves	POA
SK125BZR49.0	49mm	49mm SK125 BZR Round Bore – Radial and Axial Grooves	POA
SK125BZR1.9375	1.15/16"	1.15/16" SK125 BZR Round Bore – Radial and Axial Grooves	POA
SK125BZR50.0	50mm	50mm SK125 BZR Round Bore – Radial and Axial Grooves	POA
SK125BZR2.0000	2"	2" SK125 BZR Round Bore – Radial and Axial Grooves	POA
SK125BZR51.0	51mm	51mm SK125 BZR Round Bore – Radial and Axial Grooves	POA



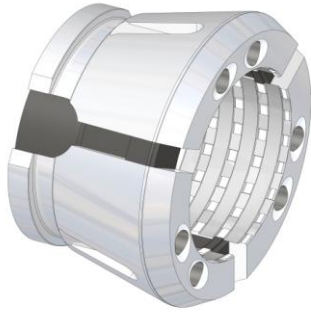
**SK125 BZR
Round Bore**
(prices do not include VAT)

Part Number	Diameter	Description	Price
SK125BZR52.0	52mm	52mm SK125 BZR Round Bore – Radial and Axial Grooves	POA
SK125BZR2.0625	2.1/16"	2.1/16" SK125 BZR Round Bore – Radial and Axial Grooves	POA
SK125BZR53.0	53mm	53mm SK125 BZR Round Bore – Radial and Axial Grooves	POA
SK125BZR2.1250	2.1/8"	2.1/8" SK125 BZR Round Bore – Radial and Axial Grooves	POA
SK125BZR54.0	54mm	54mm SK125 BZR Round Bore – Radial and Axial Grooves	POA
SK125BZR55.0	55mm	55mm SK125 BZR Round Bore – Radial and Axial Grooves	POA
SK125BZR2.1875	2.3/16"	2.3/16" SK125 BZR Round Bore – Radial and Axial Grooves	POA
SK125BZR56.0	56mm	56mm SK125 BZR Round Bore – Radial and Axial Grooves	POA
SK125BZR57.0	57mm	57mm SK125 BZR Round Bore – Radial and Axial Grooves	POA
SK125BZR2.2500	2.1/4"	2.1/4" SK125 BZR Round Bore – Radial and Axial Grooves	POA
SK125BZR58.0	58mm	58mm SK125 BZR Round Bore – Radial and Axial Grooves	POA
SK125BZR2.3125	2.5/16"	2.5/16" SK125 BZR Round Bore – Radial and Axial Grooves	POA
SK125BZR59.0	59mm	59mm SK125 BZR Round Bore – Radial and Axial Grooves	POA
SK125BZR60.0	60mm	60mm SK125 BZR Round Bore – Radial and Axial Grooves	POA
SK125BZR2.3750	2.3/8"	2.3/8" SK125 BZR Round Bore – Radial and Axial Grooves	POA
SK125BZR61.0	61mm	61mm SK125 BZR Round Bore – Radial and Axial Grooves	POA
SK125BZR2.4375	2.7/16"	2.7/16" SK125 BZR Round Bore – Radial and Axial Grooves	POA
SK125BZR62.0	62mm	62mm SK125 BZR Round Bore – Radial and Axial Grooves	POA
SK125BZR63.0	63mm	63mm SK125 BZR Round Bore – Radial and Axial Grooves	POA
SK125BZR2.5000	2.1/2"	2.1/2" SK125 BZR Round Bore – Radial and Axial Grooves	POA
SK125BZR64.0	64mm	64mm SK125 BZR Round Bore – Radial and Axial Grooves	POA
SK125BZR65.0	65mm	65mm SK125 BZR Round Bore – Radial and Axial Grooves	POA



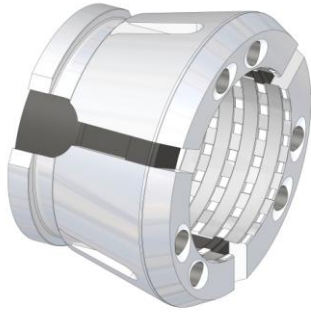
**SK125 BZR
Round Bore**
(prices do not include VAT)

Part Number	Diameter	Description	Price
SK125BZR2.5625	2.9/16"	2.9/16" SK125 BZR Round Bore – Radial and Axial Grooves	POA
SK125BZR66.0	66mm	66mm SK125 BZR Round Bore – Radial and Axial Grooves	POA
SK125BZR2.6250	2.5/8"	2.5/8" SK125 BZR Round Bore – Radial and Axial Grooves	POA
SK125BZR67.0	67mm	67mm SK125 BZR Round Bore – Radial and Axial Grooves	POA
SK125BZR68.0	68mm	68mm SK125 BZR Round Bore – Radial and Axial Grooves	POA
SK125BZR2.6875	2.11/16"	2.11/16" SK125 BZR Round Bore – Radial and Axial Grooves	POA
SK125BZR69.0	69mm	69mm SK125 BZR Round Bore – Radial and Axial Grooves	POA
SK125BZR2.7500	2.3/4"	2.3/4" SK125 BZR Round Bore – Radial and Axial Grooves	POA
SK125BZR70.0	70mm	70mm SK125 BZR Round Bore – Radial and Axial Grooves	POA
SK125BZR71.0	71mm	71mm SK125 BZR Round Bore – Radial and Axial Grooves	POA
SK125BZR2.8125	2.13/16"	2.13/16" SK125 BZR Round Bore – Radial and Axial Grooves	POA
SK125BZR72.0	72mm	72mm SK125 BZR Round Bore – Radial and Axial Grooves	POA
SK125BZR73.0	73mm	73mm SK125 BZR Round Bore – Radial and Axial Grooves	POA
SK125BZR2.8750	2.7/8"	2.7/8" SK125 BZR Round Bore – Radial and Axial Grooves	POA
SK125BZR74.0	74mm	74mm SK125 BZR Round Bore – Radial and Axial Grooves	POA
SK125BZR2.9375	2.15/16"	2.15/16" SK125 BZR Round Bore – Radial and Axial Grooves	POA
SK125BZR75.0	75mm	75mm SK125 BZR Round Bore – Radial and Axial Grooves	POA
SK125BZR76.0	76mm	76mm SK125 BZR Round Bore – Radial and Axial Grooves	POA
SK125BZR3.0000	3"	3" SK125 BZR Round Bore – Radial and Axial Grooves	POA
SK125BZR77.0	77mm	77mm SK125 BZR Round Bore – Radial and Axial Grooves	POA
SK125BZR3.0625	3.1/16"	3.1/16" SK125 BZR Round Bore – Radial and Axial Grooves	POA
SK125BZR78.0	78mm	78mm SK125 BZR Round Bore – Radial and Axial Grooves	POA



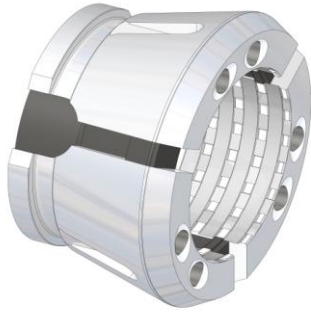
**SK125 BZR
Round Bore**
(prices do not include VAT)

Part Number	Diameter	Description	Price
SK125BZR79.0	79mm	79mm SK125 BZR Round Bore – Radial and Axial Grooves	POA
SK125BZR3.1250	3.1/8"	3.1/8" SK125 BZR Round Bore – Radial and Axial Grooves	POA
SK125BZR80.0	80mm	80mm SK125 BZR Round Bore – Radial and Axial Grooves	POA
SK125BZR3.1875	3.3/16"	3.3/16" SK125 BZR Round Bore – Radial and Axial Grooves	POA
SK125BZR81.0	81mm	81mm SK125 BZR Round Bore – Radial and Axial Grooves	POA
SK125BZR82.0	82mm	82mm SK125 BZR Round Bore – Radial and Axial Grooves	POA
SK125BZR3.2500	3.1/4"	3.1/4" SK125 BZR Round Bore – Radial and Axial Grooves	POA
SK125BZR83.0	83mm	83mm SK125 BZR Round Bore – Radial and Axial Grooves	POA
SK125BZR84.0	84mm	84mm SK125 BZR Round Bore – Radial and Axial Grooves	POA
SK125BZR3.3125	3.5/16"	3.5/16" SK125 BZR Round Bore – Radial and Axial Grooves	POA
SK125BZR85.0	85mm	85mm SK125 BZR Round Bore – Radial and Axial Grooves	POA
SK125BZR3.3750	3.3/8"	3.3/8" SK125 BZR Round Bore – Radial and Axial Grooves	POA
SK125BZR86.0	86mm	86mm SK125 BZR Round Bore – Radial and Axial Grooves	POA
SK125BZR87.0	87mm	87mm SK125 BZR Round Bore – Radial and Axial Grooves	POA
SK125BZR3.4375	3.7/16"	3.7/16" SK125 BZR Round Bore – Radial and Axial Grooves	POA
SK125BZR88.0	88mm	88mm SK125 BZR Round Bore – Radial and Axial Grooves	POA
SK125BZR3.5000	3.1/2"	3.1/2" SK125 BZR Round Bore – Radial and Axial Grooves	POA
SK125BZR89.0	89mm	89mm SK125 BZR Round Bore – Radial and Axial Grooves	POA
SK125BZR90.0	90mm	90mm SK125 BZR Round Bore – Radial and Axial Grooves	POA
SK125BZR3.5625	3.9/16"	3.9/16" SK125 BZR Round Bore – Radial and Axial Grooves	POA
SK125BZR91.0	91mm	91mm SK125 BZR Round Bore – Radial and Axial Grooves	POA
SK125BZR92.0	92mm	92mm SK125 BZR Round Bore – Radial and Axial Grooves	POA



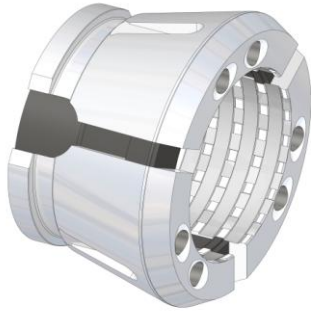
**SK125 BZR
Round Bore**
(prices do not include VAT)

Part Number	Diameter	Description	Price
SK125BZR3.6250	3.5/8"	3.5/8" SK125 BZR Round Bore – Radial and Axial Grooves	POA
SK125BZR93.0	93mm	93mm SK125 BZR Round Bore – Radial and Axial Grooves	POA
SK125BZR3.6875	3.11/16"	3.11/16" SK125 BZR Round Bore – Radial and Axial Grooves	POA
SK125BZR94.0	94mm	94mm SK125 BZR Round Bore – Radial and Axial Grooves	POA
SK125BZR95.0	95mm	95mm SK125 BZR Round Bore – Radial and Axial Grooves	POA
SK125BZR3.7500	3.3/4"	3.3/4" SK125 BZR Round Bore – Radial and Axial Grooves	POA
SK125BZR96.0	96mm	96mm SK125 BZR Round Bore – Radial and Axial Grooves	POA
SK125BZR3.8125	3.13/16"	3.13/16" SK125 BZR Round Bore – Radial and Axial Grooves	POA
SK125BZR97.0	97mm	97mm SK125 BZR Round Bore – Radial and Axial Grooves	POA
SK125BZR98.0	98mm	98mm SK125 BZR Round Bore – Radial and Axial Grooves	POA
SK125BZR3.8750	3.7/8"	3.7/8" SK125 BZR Round Bore – Radial and Axial Grooves	POA
SK125BZR99.0	99mm	99mm SK125 BZR Round Bore – Radial and Axial Grooves	POA
SK125BZR100.0	100mm	100mm SK125 BZR Round Bore – Radial and Axial Grooves	POA
SK125BZR3.9375	3.15/16"	3.15/16" SK125 BZR Round Bore – Radial and Axial Grooves	POA
SK125BZR101.0	101mm	101mm SK125 BZR Round Bore – Radial and Axial Grooves	POA
SK125BZR4.0000	4"	4" SK125 BZR Round Bore – Radial and Axial Grooves	POA
SK125BZR102.0	102mm	102mm SK125 BZR Round Bore – Radial and Axial Grooves	POA
SK125BZR103.0	103mm	103mm SK125 BZR Round Bore – Radial and Axial Grooves	POA
SK125BZR4.0625	4.1/16"	4.1/16" SK125 BZR Round Bore – Radial and Axial Grooves	POA
SK125BZR104.0	104mm	104mm SK125 BZR Round Bore – Radial and Axial Grooves	POA
SK125BZR4.1250	4.1/8"	4.1/8" SK125 BZR Round Bore – Radial and Axial Grooves	POA
SK125BZR105.0	105mm	105mm SK125 BZR Round Bore – Radial and Axial Grooves	POA



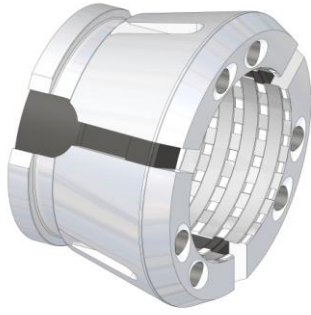
**SK125 BZR
Round Bore**
(prices do not include VAT)

Part Number	Diameter	Description	Price
SK125BZR106.0	106mm	106mm SK125 BZR Round Bore – Radial and Axial Grooves	POA
SK125BZR4.1875	4.3/16"	4.3/16" SK125 BZR Round Bore – Radial and Axial Grooves	POA
SK125BZR107.0	107mm	107mm SK125 BZR Round Bore – Radial and Axial Grooves	POA
SK125BZR4.2500	4.1/4"	4.1/4" SK125 BZR Round Bore – Radial and Axial Grooves	POA
SK125BZR108.0	108mm	108mm SK125 BZR Round Bore – Radial and Axial Grooves	POA
SK125BZR109.0	109mm	109mm SK125 BZR Round Bore – Radial and Axial Grooves	POA
SK125BZR4.3125	4.5/16"	4.5/16" SK125 BZR Round Bore – Radial and Axial Grooves	POA
SK125BZR110.0	110mm	110mm SK125 BZR Round Bore – Radial and Axial Grooves	POA
SK125BZR111.0	111mm	111mm SK125 BZR Round Bore – Radial and Axial Grooves	POA
SK125BZR4.3750	4.3/8"	4.3/8" SK125 BZR Round Bore – Radial and Axial Grooves	POA
SK125BZR112.0	112mm	112mm SK125 BZR Round Bore – Radial and Axial Grooves	POA
SK125BZR4.4375	4.7/16"	4.7/16" SK125 BZR Round Bore – Radial and Axial Grooves	POA
SK125BZR113.0	113mm	113mm SK125 BZR Round Bore – Radial and Axial Grooves	POA
SK125BZR114.0	114mm	114mm SK125 BZR Round Bore – Radial and Axial Grooves	POA
SK125BZR4.5000	4.1/2"	4.1/2" SK125 BZR Round Bore – Radial and Axial Grooves	POA
SK125BZR115.0	115mm	115mm SK125 BZR Round Bore – Radial and Axial Grooves	POA
SK125BZR4.5625	4.9/16"	4.9/16" SK125 BZR Round Bore – Radial and Axial Grooves	POA
SK125BZR116.0	116mm	116mm SK125 BZR Round Bore – Radial and Axial Grooves	POA
SK125BZR117.0	117mm	117mm SK125 BZR Round Bore – Radial and Axial Grooves	POA
SK125BZR4.6250	4.5/8"	4.5/8" SK125 BZR Round Bore – Radial and Axial Grooves	POA
SK125BZR118.0	118mm	118mm SK125 BZR Round Bore – Radial and Axial Grooves	POA
SK125BZR119.0	119mm	119mm SK125 BZR Round Bore – Radial and Axial Grooves	POA



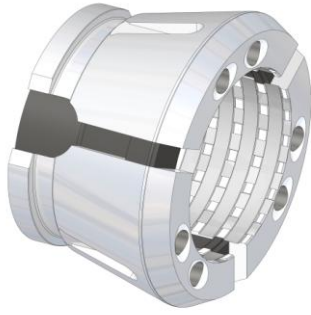
**SK125 BZR
Round Bore**
(prices do not include VAT)

Part Number	Diameter	Description	Price
SK125BZR4.6875	4.11/16"	4.11/16" SK125 BZR Round Bore – Radial and Axial Grooves	POA
SK125BZR120.0	120mm	120mm SK125 BZR Round Bore – Radial and Axial Grooves	POA
SK125BZR4.7500	4.3/4"	4.3/4" SK125 BZR Round Bore – Radial and Axial Grooves	POA
SK125BZR121.0	121mm	121mm SK125 BZR Round Bore – Radial and Axial Grooves	POA
SK125BZR122.0	122mm	122mm SK125 BZR Round Bore – Radial and Axial Grooves	POA
SK125BZR4.8125	4.13/16"	4.13/16" SK125 BZR Round Bore – Radial and Axial Grooves	POA
SK125BZR123.0	123mm	123mm SK125 BZR Round Bore – Radial and Axial Grooves	POA
SK125BZR4.8750	4.7/8"	4.7/8" SK125 BZR Round Bore – Radial and Axial Grooves	POA
SK125BZR124.0	124mm	124mm SK125 BZR Round Bore – Radial and Axial Grooves	POA
SK125BZR125.0	125mm	125mm SK125 BZR Round Bore – Radial and Axial Grooves	POA



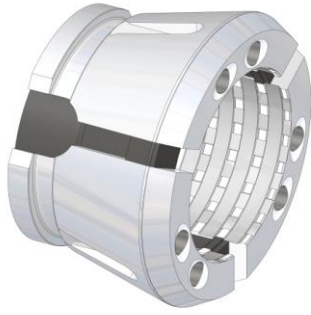
**SK160 BZR
Round Bore**
(prices do not include VAT)

Part Number	Diameter	Description	Price
SK160BZR27.0	27mm	27mm SK160 BZR Round Bore – Radial and Axial Grooves	POA
SK160BZR28.0	28mm	28mm SK160 BZR Round Bore – Radial and Axial Grooves	POA
SK160BZR1.1250	1.1/8"	1.1/8" SK160 BZR Round Bore – Radial and Axial Grooves	POA
SK160BZR29.0	29mm	29mm SK160 BZR Round Bore – Radial and Axial Grooves	POA
SK160BZR30.0	30mm	30mm SK160 BZR Round Bore – Radial and Axial Grooves	POA
SK160BZR1.1875	1.3/16"	1.3/16" SK160 BZR Round Bore – Radial and Axial Grooves	POA
SK160BZR31.0	31mm	31mm SK160 BZR Round Bore – Radial and Axial Grooves	POA
SK160BZR1.2500	1.1/4"	1.1/4" SK160 BZR Round Bore – Radial and Axial Grooves	POA
SK160BZR32.0	32mm	32mm SK160 BZR Round Bore – Radial and Axial Grooves	POA
SK160BZR33.0	33mm	33mm SK160 BZR Round Bore – Radial and Axial Grooves	POA
SK160BZR1.3125	1.5/16"	1.5/16" SK160 BZR Round Bore – Radial and Axial Grooves	POA
SK160BZR34.0	34mm	34mm SK160 BZR Round Bore – Radial and Axial Grooves	POA
SK160BZR1.3750	1.3/8"	1.3/8" SK160 BZR Round Bore – Radial and Axial Grooves	POA
SK160BZR35.0	35mm	35mm SK160 BZR Round Bore – Radial and Axial Grooves	POA
SK160BZR36.0	36mm	36mm SK160 BZR Round Bore – Radial and Axial Grooves	POA
SK160BZR1.4375	1.7/16"	1.7/16" SK160 BZR Round Bore – Radial and Axial Grooves	POA
SK160BZR37.0	37mm	37mm SK160 BZR Round Bore – Radial and Axial Grooves	POA
SK160BZR38.0	38mm	38mm SK160 BZR Round Bore – Radial and Axial Grooves	POA
SK160BZR1.5000	1.1/2"	1.1/2" SK160 BZR Round Bore – Radial and Axial Grooves	POA
SK160BZR39.0	39mm	39mm SK160 BZR Round Bore – Radial and Axial Grooves	POA
SK160BZR1.5625	1.9/16"	1.9/16" SK160 BZR Round Bore – Radial and Axial Grooves	POA
SK160BZR40.0	40mm	40mm SK160 BZR Round Bore – Radial and Axial Grooves	POA



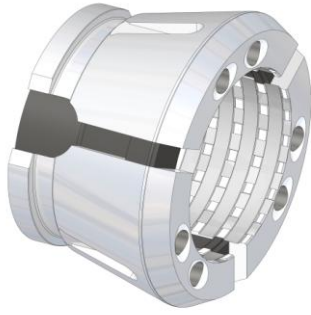
**SK160 BZR
Round Bore**
(prices do not include VAT)

Part Number	Diameter	Description	Price
SK160BZR41.0	41mm	41mm SK160 BZR Round Bore – Radial and Axial Grooves	POA
SK160BZR1.6250	1.5/8"	1.5/8" SK160 BZR Round Bore – Radial and Axial Grooves	POA
SK160BZR42.0	42mm	42mm SK160 BZR Round Bore – Radial and Axial Grooves	POA
SK160BZR1.6875	1.11/16"	1.11/16" SK160 BZR Round Bore – Radial and Axial Grooves	POA
SK160BZR43.0	43mm	43mm SK160 BZR Round Bore – Radial and Axial Grooves	POA
SK160BZR44.0	44mm	44mm SK160 BZR Round Bore – Radial and Axial Grooves	POA
SK160BZR1.7500	1.3/4"	1.3/4" SK160 BZR Round Bore – Radial and Axial Grooves	POA
SK160BZR45.0	45mm	45mm SK160 BZR Round Bore – Radial and Axial Grooves	POA
SK160BZR46.0	46mm	46mm SK160 BZR Round Bore – Radial and Axial Grooves	POA
SK160BZR1.8125	1.13/16"	1.13/16" SK160 BZR Round Bore – Radial and Axial Grooves	POA
SK160BZR47.0	47mm	47mm SK160 BZR Round Bore – Radial and Axial Grooves	POA
SK160BZR1.8750	1.7/8"	1.7/8" SK160 BZR Round Bore – Radial and Axial Grooves	POA
SK160BZR48.0	48mm	48mm SK160 BZR Round Bore – Radial and Axial Grooves	POA
SK160BZR49.0	49mm	49mm SK160 BZR Round Bore – Radial and Axial Grooves	POA
SK160BZR1.9375	1.15/16"	1.15/16" SK160 BZR Round Bore – Radial and Axial Grooves	POA
SK160BZR50.0	50mm	50mm SK160 BZR Round Bore – Radial and Axial Grooves	POA
SK160BZR2.0000	2"	2" SK160 BZR Round Bore – Radial and Axial Grooves	POA
SK160BZR51.0	51mm	51mm SK160 BZR Round Bore – Radial and Axial Grooves	POA
SK160BZR52.0	52mm	52mm SK160 BZR Round Bore – Radial and Axial Grooves	POA
SK160BZR2.0625	2.1/16"	2.1/16" SK160 BZR Round Bore – Radial and Axial Grooves	POA
SK160BZR53.0	53mm	53mm SK160 BZR Round Bore – Radial and Axial Grooves	POA
SK160BZR2.1250	2.1/8"	2.1/8" SK160 BZR Round Bore – Radial and Axial Grooves	POA



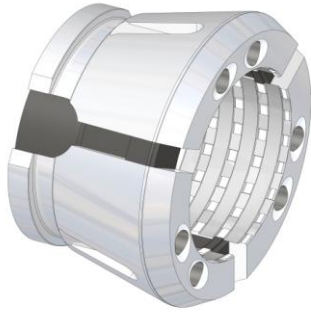
**SK160 BZR
Round Bore**
(prices do not include VAT)

Part Number	Diameter	Description	Price
SK160BZR54.0	54mm	54mm SK160 BZR Round Bore – Radial and Axial Grooves	POA
SK160BZR55.0	55mm	55mm SK160 BZR Round Bore – Radial and Axial Grooves	POA
SK160BZR2.1875	2.3/16"	2.3/16" SK160 BZR Round Bore – Radial and Axial Grooves	POA
SK160BZR56.0	56mm	56mm SK160 BZR Round Bore – Radial and Axial Grooves	POA
SK160BZR57.0	57mm	57mm SK160 BZR Round Bore – Radial and Axial Grooves	POA
SK160BZR2.2500	2.1/4"	2.1/4" SK160 BZR Round Bore – Radial and Axial Grooves	POA
SK160BZR58.0	58mm	58mm SK160 BZR Round Bore – Radial and Axial Grooves	POA
SK160BZR2.3125	2.5/16"	2.5/16" SK160 BZR Round Bore – Radial and Axial Grooves	POA
SK160BZR59.0	59mm	59mm SK160 BZR Round Bore – Radial and Axial Grooves	POA
SK160BZR60.0	60mm	60mm SK160 BZR Round Bore – Radial and Axial Grooves	POA
SK160BZR2.3750	2.3/8"	2.3/8" SK160 BZR Round Bore – Radial and Axial Grooves	POA
SK160BZR61.0	61mm	61mm SK160 BZR Round Bore – Radial and Axial Grooves	POA
SK160BZR2.4375	2.7/16"	2.7/16" SK160 BZR Round Bore – Radial and Axial Grooves	POA
SK160BZR62.0	62mm	62mm SK160 BZR Round Bore – Radial and Axial Grooves	POA
SK160BZR63.0	63mm	63mm SK160 BZR Round Bore – Radial and Axial Grooves	POA
SK160BZR2.5000	2.1/2"	2.1/2" SK160 BZR Round Bore – Radial and Axial Grooves	POA
SK160BZR64.0	64mm	64mm SK160 BZR Round Bore – Radial and Axial Grooves	POA
SK160BZR65.0	65mm	65mm SK160 BZR Round Bore – Radial and Axial Grooves	POA
SK160BZR2.5625	2.9/16"	2.9/16" SK160 BZR Round Bore – Radial and Axial Grooves	POA
SK160BZR66.0	66mm	66mm SK160 BZR Round Bore – Radial and Axial Grooves	POA
SK160BZR2.6250	2.5/8"	2.5/8" SK160 BZR Round Bore – Radial and Axial Grooves	POA
SK160BZR67.0	67mm	67mm SK160 BZR Round Bore – Radial and Axial Grooves	POA



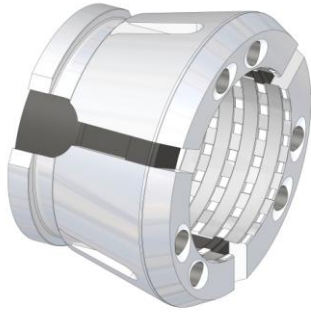
**SK160 BZR
Round Bore**
(prices do not include VAT)

Part Number	Diameter	Description	Price
SK160BZR68.0	68mm	68mm SK160 BZR Round Bore – Radial and Axial Grooves	POA
SK160BZR2.6875	2.11/16"	2.11/16" SK160 BZR Round Bore – Radial and Axial Grooves	POA
SK160BZR69.0	69mm	69mm SK160 BZR Round Bore – Radial and Axial Grooves	POA
SK160BZR2.7500	2.3/4"	2.3/4" SK160 BZR Round Bore – Radial and Axial Grooves	POA
SK160BZR70.0	70mm	70mm SK160 BZR Round Bore – Radial and Axial Grooves	POA
SK160BZR71.0	71mm	71mm SK160 BZR Round Bore – Radial and Axial Grooves	POA
SK160BZR2.8125	2.13/16"	2.13/16" SK160 BZR Round Bore – Radial and Axial Grooves	POA
SK160BZR72.0	72mm	72mm SK160 BZR Round Bore – Radial and Axial Grooves	POA
SK160BZR73.0	73mm	73mm SK160 BZR Round Bore – Radial and Axial Grooves	POA
SK160BZR2.8750	2.7/8"	2.7/8" SK160 BZR Round Bore – Radial and Axial Grooves	POA
SK160BZR74.0	74mm	74mm SK160 BZR Round Bore – Radial and Axial Grooves	POA
SK160BZR2.9375	2.15/16"	2.15/16" SK160 BZR Round Bore – Radial and Axial Grooves	POA
SK160BZR75.0	75mm	75mm SK160 BZR Round Bore – Radial and Axial Grooves	POA
SK160BZR76.0	76mm	76mm SK160 BZR Round Bore – Radial and Axial Grooves	POA
SK160BZR3.0000	3"	3" SK160 BZR Round Bore – Radial and Axial Grooves	POA
SK160BZR77.0	77mm	77mm SK160 BZR Round Bore – Radial and Axial Grooves	POA
SK160BZR3.0625	3.1/16"	3.1/16" SK160 BZR Round Bore – Radial and Axial Grooves	POA
SK160BZR78.0	78mm	78mm SK160 BZR Round Bore – Radial and Axial Grooves	POA
SK160BZR79.0	79mm	79mm SK160 BZR Round Bore – Radial and Axial Grooves	POA
SK160BZR3.1250	3.1/8"	3.1/8" SK160 BZR Round Bore – Radial and Axial Grooves	POA
SK160BZR80.0	80mm	80mm SK160 BZR Round Bore – Radial and Axial Grooves	POA
SK160BZR3.1875	3.3/16"	3.3/16" SK160 BZR Round Bore – Radial and Axial Grooves	POA



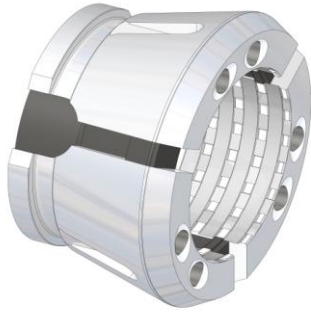
**SK160 BZR
Round Bore**
(prices do not include VAT)

Part Number	Diameter	Description	Price
SK160BZR81.0	81mm	81mm SK160 BZR Round Bore – Radial and Axial Grooves	POA
SK160BZR82.0	82mm	82mm SK160 BZR Round Bore – Radial and Axial Grooves	POA
SK160BZR3.2500	3.1/4"	3.1/4" SK160 BZR Round Bore – Radial and Axial Grooves	POA
SK160BZR83.0	83mm	83mm SK160 BZR Round Bore – Radial and Axial Grooves	POA
SK160BZR84.0	84mm	84mm SK160 BZR Round Bore – Radial and Axial Grooves	POA
SK160BZR3.3125	3.5/16"	3.5/16" SK160 BZR Round Bore – Radial and Axial Grooves	POA
SK160BZR85.0	85mm	85mm SK160 BZR Round Bore – Radial and Axial Grooves	POA
SK160BZR3.3750	3.3/8"	3.3/8" SK160 BZR Round Bore – Radial and Axial Grooves	POA
SK160BZR86.0	86mm	86mm SK160 BZR Round Bore – Radial and Axial Grooves	POA
SK160BZR87.0	87mm	87mm SK160 BZR Round Bore – Radial and Axial Grooves	POA
SK160BZR3.4375	3.7/16"	3.7/16" SK160 BZR Round Bore – Radial and Axial Grooves	POA
SK160BZR88.0	88mm	88mm SK160 BZR Round Bore – Radial and Axial Grooves	POA
SK160BZR3.5000	3.1/2"	3.1/2" SK160 BZR Round Bore – Radial and Axial Grooves	POA
SK160BZR89.0	89mm	89mm SK160 BZR Round Bore – Radial and Axial Grooves	POA
SK160BZR90.0	90mm	90mm SK160 BZR Round Bore – Radial and Axial Grooves	POA
SK160BZR3.5625	3.9/16"	3.9/16" SK160 BZR Round Bore – Radial and Axial Grooves	POA
SK160BZR91.0	91mm	91mm SK160 BZR Round Bore – Radial and Axial Grooves	POA
SK160BZR92.0	92mm	92mm SK160 BZR Round Bore – Radial and Axial Grooves	POA
SK160BZR3.6250	3.5/8"	3.5/8" SK160 BZR Round Bore – Radial and Axial Grooves	POA
SK160BZR93.0	93mm	93mm SK160 BZR Round Bore – Radial and Axial Grooves	POA
SK160BZR3.6875	3.11/16"	3.11/16" SK160 BZR Round Bore – Radial and Axial Grooves	POA
SK160BZR94.0	94mm	94mm SK160 BZR Round Bore – Radial and Axial Grooves	POA



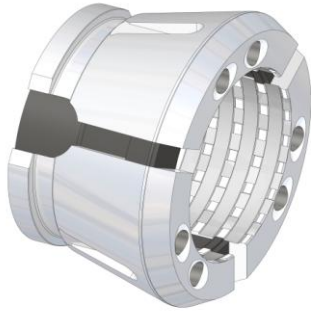
**SK160 BZR
Round Bore**
(prices do not include VAT)

Part Number	Diameter	Description	Price
SK160BZR95.0	95mm	95mm SK160 BZR Round Bore – Radial and Axial Grooves	POA
SK160BZR3.7500	3.3/4"	3.3/4" SK160 BZR Round Bore – Radial and Axial Grooves	POA
SK160BZR96.0	96mm	96mm SK160 BZR Round Bore – Radial and Axial Grooves	POA
SK160BZR3.8125	3.13/16"	3.13/16" SK160 BZR Round Bore – Radial and Axial Grooves	POA
SK160BZR97.0	97mm	97mm SK160 BZR Round Bore – Radial and Axial Grooves	POA
SK160BZR98.0	98mm	98mm SK160 BZR Round Bore – Radial and Axial Grooves	POA
SK160BZR3.8750	3.7/8"	3.7/8" SK160 BZR Round Bore – Radial and Axial Grooves	POA
SK160BZR99.0	99mm	99mm SK160 BZR Round Bore – Radial and Axial Grooves	POA
SK160BZR100.0	100mm	100mm SK160 BZR Round Bore – Radial and Axial Grooves	POA
SK160BZR3.9375	3.15/16"	3.15/16" SK160 BZR Round Bore – Radial and Axial Grooves	POA
SK160BZR101.0	101mm	101mm SK160 BZR Round Bore – Radial and Axial Grooves	POA
SK160BZR4.0000	4"	4" SK160 BZR Round Bore – Radial and Axial Grooves	POA
SK160BZR102.0	102mm	102mm SK160 BZR Round Bore – Radial and Axial Grooves	POA
SK160BZR103.0	103mm	103mm SK160 BZR Round Bore – Radial and Axial Grooves	POA
SK160BZR4.0625	4.1/16"	4.1/16" SK160 BZR Round Bore – Radial and Axial Grooves	POA
SK160BZR104.0	104mm	104mm SK160 BZR Round Bore – Radial and Axial Grooves	POA
SK160BZR4.1250	4.1/8"	4.1/8" SK160 BZR Round Bore – Radial and Axial Grooves	POA
SK160BZR105.0	105mm	105mm SK160 BZR Round Bore – Radial and Axial Grooves	POA
SK160BZR106.0	106mm	106mm SK160 BZR Round Bore – Radial and Axial Grooves	POA
SK160BZR4.1875	4.3/16"	4.3/16" SK160 BZR Round Bore – Radial and Axial Grooves	POA
SK160BZR107.0	107mm	107mm SK160 BZR Round Bore – Radial and Axial Grooves	POA
SK160BZR4.2500	4.1/4"	4.1/4" SK160 BZR Round Bore – Radial and Axial Grooves	POA



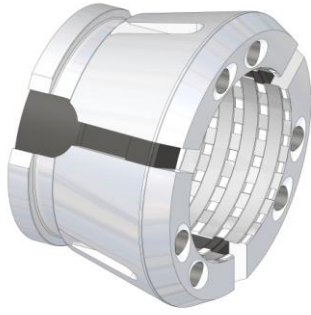
**SK160 BZR
Round Bore**
(prices do not include VAT)

Part Number	Diameter	Description	Price
SK160BZR108.0	108mm	108mm SK160 BZR Round Bore – Radial and Axial Grooves	POA
SK160BZR109.0	109mm	109mm SK160 BZR Round Bore – Radial and Axial Grooves	POA
SK160BZR4.3125	4.5/16"	4.5/16" SK160 BZR Round Bore – Radial and Axial Grooves	POA
SK160BZR110.0	110mm	110mm SK160 BZR Round Bore – Radial and Axial Grooves	POA
SK160BZR111.0	111mm	111mm SK160 BZR Round Bore – Radial and Axial Grooves	POA
SK160BZR4.3750	4.3/8"	4.3/8" SK160 BZR Round Bore – Radial and Axial Grooves	POA
SK160BZR112.0	112mm	112mm SK160 BZR Round Bore – Radial and Axial Grooves	POA
SK160BZR4.4375	4.7/16"	4.7/16" SK160 BZR Round Bore – Radial and Axial Grooves	POA
SK160BZR113.0	113mm	113mm SK160 BZR Round Bore – Radial and Axial Grooves	POA
SK160BZR114.0	114mm	114mm SK160 BZR Round Bore – Radial and Axial Grooves	POA
SK160BZR4.5000	4.1/2"	4.1/2" SK160 BZR Round Bore – Radial and Axial Grooves	POA
SK160BZR115.0	115mm	115mm SK160 BZR Round Bore – Radial and Axial Grooves	POA
SK160BZR4.5625	4.9/16"	4.9/16" SK160 BZR Round Bore – Radial and Axial Grooves	POA
SK160BZR116.0	116mm	116mm SK160 BZR Round Bore – Radial and Axial Grooves	POA
SK160BZR117.0	117mm	117mm SK160 BZR Round Bore – Radial and Axial Grooves	POA
SK160BZR4.6250	4.5/8"	4.5/8" SK160 BZR Round Bore – Radial and Axial Grooves	POA
SK160BZR118.0	118mm	118mm SK160 BZR Round Bore – Radial and Axial Grooves	POA
SK160BZR119.0	119mm	119mm SK160 BZR Round Bore – Radial and Axial Grooves	POA
SK160BZR4.6875	4.11/16"	4.11/16" SK160 BZR Round Bore – Radial and Axial Grooves	POA
SK160BZR120.0	120mm	120mm SK160 BZR Round Bore – Radial and Axial Grooves	POA
SK160BZR4.7500	4.3/4"	4.3/4" SK160 BZR Round Bore – Radial and Axial Grooves	POA
SK160BZR121.0	121mm	121mm SK160 BZR Round Bore – Radial and Axial Grooves	POA



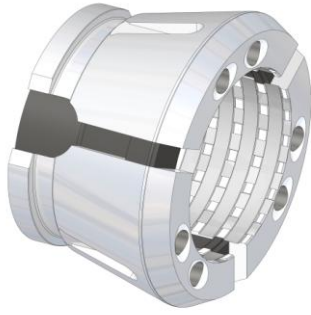
**SK160 BZR
Round Bore**
(prices do not include VAT)

Part Number	Diameter	Description	Price
SK160BZR122.0	122mm	122mm SK160 BZR Round Bore – Radial and Axial Grooves	POA
SK160BZR4.8125	4.13/16"	4.13/16" SK160 BZR Round Bore – Radial and Axial Grooves	POA
SK160BZR123.0	123mm	123mm SK160 BZR Round Bore – Radial and Axial Grooves	POA
SK160BZR4.8750	4.7/8"	4.7/8" SK160 BZR Round Bore – Radial and Axial Grooves	POA
SK160BZR124.0	124mm	124mm SK160 BZR Round Bore – Radial and Axial Grooves	POA
SK160BZR125.0	125mm	125mm SK160 BZR Round Bore – Radial and Axial Grooves	POA
SK160BZR4.9375	4.15/16"	4.15/16" SK160 BZR Round Bore – Radial and Axial Grooves	POA
SK160BZR126.0	126mm	126mm SK160 BZR Round Bore – Radial and Axial Grooves	POA
SK160BZR5.0000	5"	5" SK160 BZR Round Bore – Radial and Axial Grooves	POA
SK160BZR127.0	127mm	127mm SK160 BZR Round Bore – Radial and Axial Grooves	POA
SK160BZR128.0	128mm	128mm SK160 BZR Round Bore – Radial and Axial Grooves	POA
SK160BZR5.0625	5.1/16"	5.1/16" SK160 BZR Round Bore – Radial and Axial Grooves	POA
SK160BZR129.0	129mm	129mm SK160 BZR Round Bore – Radial and Axial Grooves	POA
SK160BZR130.0	130mm	130mm SK160 BZR Round Bore – Radial and Axial Grooves	POA
SK160BZR5.1250	5.1/8"	5.1/8" SK160 BZR Round Bore – Radial and Axial Grooves	POA
SK160BZR131.0	131mm	131mm SK160 BZR Round Bore – Radial and Axial Grooves	POA
SK160BZR5.1875	5.3/16"	5.3/16" SK160 BZR Round Bore – Radial and Axial Grooves	POA
SK160BZR132.0	132mm	132mm SK160 BZR Round Bore – Radial and Axial Grooves	POA
SK160BZR133.0	133mm	133mm SK160 BZR Round Bore – Radial and Axial Grooves	POA
SK160BZR5.2500	5.1/4"	5.1/4" SK160 BZR Round Bore – Radial and Axial Grooves	POA
SK160BZR134.0	134mm	134mm SK160 BZR Round Bore – Radial and Axial Grooves	POA
SK160BZR5.3125	5.5/16"	5.5/16" SK160 BZR Round Bore – Radial and Axial Grooves	POA



**SK160 BZR
Round Bore**
(prices do not include VAT)

Part Number	Diameter	Description	Price
SK160BZR135.0	135mm	135mm SK160 BZR Round Bore – Radial and Axial Grooves	POA
SK160BZR136.0	136mm	136mm SK160 BZR Round Bore – Radial and Axial Grooves	POA
SK160BZR5.3750	5.3/8"	5.3/8" SK160 BZR Round Bore – Radial and Axial Grooves	POA
SK160BZR137.0	137mm	137mm SK160 BZR Round Bore – Radial and Axial Grooves	POA
SK160BZR138.0	138mm	138mm SK160 BZR Round Bore – Radial and Axial Grooves	POA
SK160BZR5.4375	5.7/16"	5.7/16" SK160 BZR Round Bore – Radial and Axial Grooves	POA
SK160BZR139.0	139mm	139mm SK160 BZR Round Bore – Radial and Axial Grooves	POA
SK160BZR5.5000	5.1/2"	5.1/2" SK160 BZR Round Bore – Radial and Axial Grooves	POA
SK160BZR140.0	140mm	140mm SK160 BZR Round Bore – Radial and Axial Grooves	POA
SK160BZR141.0	141mm	141mm SK160 BZR Round Bore – Radial and Axial Grooves	POA
SK160BZR5.5625	5.9/16"	5.9/16" SK160 BZR Round Bore – Radial and Axial Grooves	POA
SK160BZR142.0	142mm	142mm SK160 BZR Round Bore – Radial and Axial Grooves	POA
SK160BZR5.6250	5.5/8"	5.5/8" SK160 BZR Round Bore – Radial and Axial Grooves	POA
SK160BZR143.0	143mm	143mm SK160 BZR Round Bore – Radial and Axial Grooves	POA
SK160BZR144.0	144mm	144mm SK160 BZR Round Bore – Radial and Axial Grooves	POA
SK160BZR5.6875	5.11/16"	5.11/16" SK160 BZR Round Bore – Radial and Axial Grooves	POA
SK160BZR145.0	145mm	145mm SK160 BZR Round Bore – Radial and Axial Grooves	POA
SK160BZR146.0	146mm	146mm SK160 BZR Round Bore – Radial and Axial Grooves	POA
SK160BZR5.7500	5.3/4"	5.3/4" SK160 BZR Round Bore – Radial and Axial Grooves	POA
SK160BZR147.0	147mm	147mm SK160 BZR Round Bore – Radial and Axial Grooves	POA
SK160BZR5.8125	5.13/16"	5.13/16" SK160 BZR Round Bore – Radial and Axial Grooves	POA
SK160BZR148.0	148mm	148mm SK160 BZR Round Bore – Radial and Axial Grooves	POA



**SK160 BZR
Round Bore**
(prices do not include VAT)

Part Number	Diameter	Description	Price
SK160BZR149.0	149mm	149mm SK160 BZR Round Bore – Radial and Axial Grooves	POA
SK160BZR5.8750	5.7/8"	5.7/8" SK160 BZR Round Bore – Radial and Axial Grooves	POA
SK160BZR150.0	150mm	150mm SK160 BZR Round Bore – Radial and Axial Grooves	POA
SK160BZR5.9375	5.15/16"	5.15/16" SK160 BZR Round Bore – Radial and Axial Grooves	POA
SK160BZR151.0	151mm	151mm SK160 BZR Round Bore – Radial and Axial Grooves	POA
SK160BZR152.0	152mm	152mm SK160 BZR Round Bore – Radial and Axial Grooves	POA
SK160BZR6.0000	6"	6" SK160 BZR Round Bore – Radial and Axial Grooves	POA
SK160BZR153.0	153mm	153mm SK160 BZR Round Bore – Radial and Axial Grooves	POA
SK160BZR6.0625	6.1/16"	6.1/16" SK160 BZR Round Bore – Radial and Axial Grooves	POA
SK160BZR154.0	154mm	154mm SK160 BZR Round Bore – Radial and Axial Grooves	POA
SK160BZR155.0	155mm	155mm SK160 BZR Round Bore – Radial and Axial Grooves	POA
SK160BZR6.1250	6.1/8"	6.1/8" SK160 BZR Round Bore – Radial and Axial Grooves	POA
SK160BZR156.0	156mm	156mm SK160 BZR Round Bore – Radial and Axial Grooves	POA
SK160BZR157.0	157mm	157mm SK160 BZR Round Bore – Radial and Axial Grooves	POA
SK160BZR6.1875	6.3/16"	6.3/16" SK160 BZR Round Bore – Radial and Axial Grooves	POA
SK160BZR158.0	158mm	158mm SK160 BZR Round Bore – Radial and Axial Grooves	POA
SK160BZR6.2500	6.1/4"	6.1/4" SK160 BZR Round Bore – Radial and Axial Grooves	POA
SK160BZR159.0	159mm	159mm SK160 BZR Round Bore – Radial and Axial Grooves	POA
SK160BZR160.0	160mm	160mm SK160 BZR Round Bore – Radial and Axial Grooves	POA