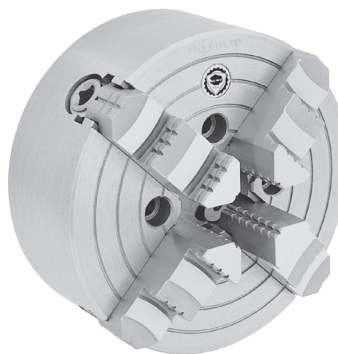
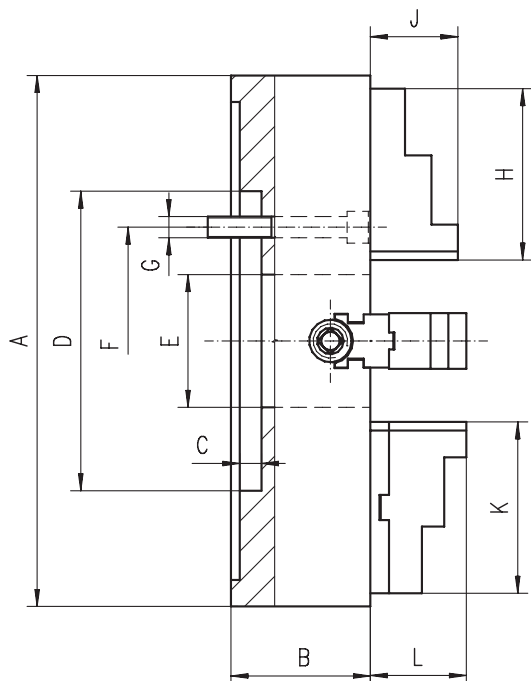


## Type 4304, 4305

### 4 JAWS, CAST IRON BODY



#### Features:

- 4 jaw, independent chuck with manual gripping, and a high quality cast iron body
- Chuck bodies in sizes up to 160 mm diameter, are made from steel
- 4 jaws ensure the precise centering of square-shaped workpieces with the maximum permitted gripping force
- Chucks with diameters 250 mm and above are equipped with additional T-slots, permitting the addition of extra jaws
- Mounted on the machine-tool spindle from the back of the chuck, using the adapter plate

#### Application:

- Suitable for machining square and round workpieces on all types of workshop machining operations on conventional lathes

#### Options:

- Hard solid jaws (type 4304) or hard two-piece jaws (type 4305)
- Chuck design: our engineers can work with you to implement any product design changes you may require

Chuck size	85	100	125	160	200	250	315
A	86	100	130	156	200	250	315
B	40	40	43	43	80	85	95
C	5	2,5	2,5	2,5	5	7	7
D H7	62	79,38	69,85	82,55	110	150	175
E	25	25	26	42	50	65	80
F	72	54	54	69,85	82,6	104,8	133,4
G	4xM6	4xM8	4xM8	4xM10	4xM10	4xM12	4xM16
H	34	34	51	51	81	96,5	111
J	17	17	20	20	40,3	40,3	49,8
K	-	-	-	-	82	96,5	112,5
L	-	-	-	-	46,4	60,4	60,9
Approx. weight [kg]	1,9	2,4	3,8	4,3	14,0	25,0	39,0

Chuck size	350	400	500	630	800	915	1000	1250
A	350	400	500	630	800	915	1000	1250
B	95	105	120	140	160	170	170	190
C	7	10	12	12	12	18	18	18
D H7	175	200	270	270	380	370	370	550
E	80	100	125	160	200	190	190	190
F	133,4	171,4	235	235	330	330	330	500
G	4xM16	4xM16	4xM20	4xM20	4xM24	8xM24	8xM24	8xM24
H	111	129	152,5	177	202	-	-	-
J	49,8	49,8	59,8	59,8	70,8	-	-	-
K	-	129	136	136	136	160	160	160
L	-	72,3	90,3	97,8	93,8	102,8	102,8	102,8
Approx. weight [kg] ca. kg	47,5	61,0	105	163	319	350	410	950

Other engineering data - see page 79

Type	Standard accessories	1 set of solid jaws	1 set of hard top jaws	1 set of hard master jaws	1 wrench	Optional accessories	1 set of soft solid jaws	1 set of soft solid top jaws
Type 4304								
Type 4305								

Spare parts - see page 80