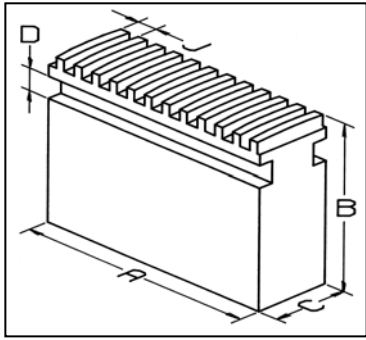


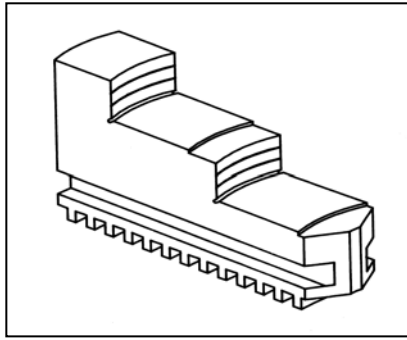
SCROLL JAWS SOFT AND HARD

FOR MANUAL SCROLL CHUCKS

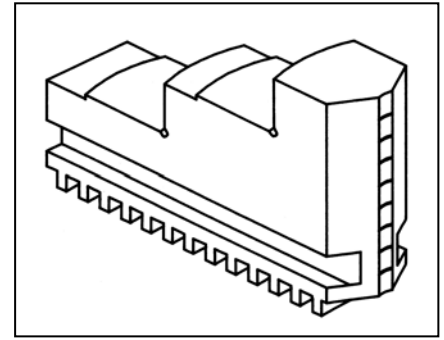
• Material - Soft Jaws : Steel : 080M15 (En32)



SOFT



HARD OUTSIDE



HARD INSIDE

TO SUIT BISON & TOOLMEX 3500, 3700 SCROLL CHUCKS

Chuck Dia	A	B	C	D	J	Weight Kg/Set	Soft Jaws		Hard Jaws			
							Code		Inside Code		Outside Code	
80	32	28	11	6	4	0.2	TM08		7-360-080		7-370-080	
100	42	34	15	6	6	0.5	EN10		7-360-100		7-370-100	
125	51	38	20	8	7	0.8	EN13		7-360-125		7-370-125	
160	70	51	20	8	8	1.3	EN16		7-360-160		7-370-160	
200	85	57	25	10	8	2.5	EN20		7-360-200		7-370-200	
250	105	70	28	12	9	4.2	EN25		7-360-250		7-370-250	
315	127	76	32	12	10	6.3	EN32		7-360-315		7-370-315	
400	145	90	36	14	12	9.0	EN40		7-360-400		7-370-400	
500	180	100	40	14	15	13.5	TM50		7-360-500		7-370-500	

Jaws also available for 4 jaw chucks. Please contact us for prices

TO SUIT AMESTRA FPA SCROLL CHUCKS

Chuck Dia	A	B	C	D	J	Weight Kg/Set	Soft Jaws		Hard Jaws			
							Code	Price	Inside Code	Price	Outside Code	Price
125	50	40	20	8	7	0.8	EA13	P.O.A.				
160	65	53	20	8	8	1.4	EA16	P.O.A.				
200	79	54	25	10	8	2.1	EA20	P.O.A.	AVAILABLE ON REQUEST		AVAILABLE ON REQUEST	
250	98	63	28	12	9	3.5	EA25	P.O.A.				
315	119	70	32	12	11	5.4	EA32	P.O.A.				
400	136	92	36	14	14.2	9.0	EA40	P.O.A.				

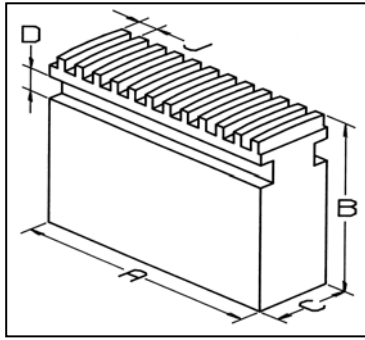
NOTE: Check dimensions for Amestra Scroll Jaws. As old and new style chucks use different Jaws.

A & B dimensions & Weights shown are for soft jaws only

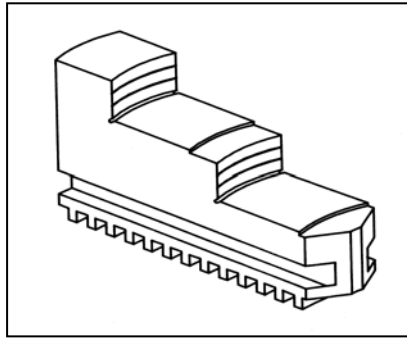
SCROLL JAWS SOFT AND HARD

FOR MANUAL SCROLL CHUCKS

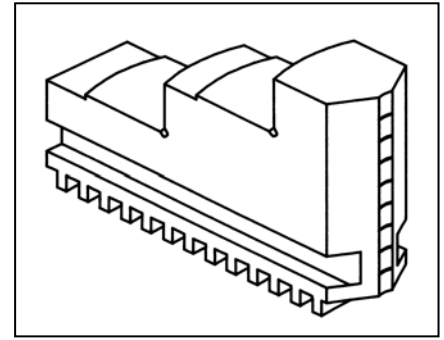
• Material - Soft Jaws : Steel : 080M15 (En32)



SOFT



HARD OUTSIDE



HARD INSIDE

TO SUIT PRATT BURNERD METRIC SCROLL CHUCKS

Chuck Dia	A	B	C	D	J	Weight Kg/Set	Soft Jaws		Hard Jaws		
							Code		Inside Code		Outside Code
80	37	30	10	5.1	6	0.2	8210-08606		8210-08603		8210-08602
100	42	35	14	7.1	6	0.4	8210-10606		8210-10603		8210-10602
125	53	38	16	7.1	6	0.7	8210-13606		8210-13603		8210-13602
160	68	45	18	7.1	6	1.2	8210-17606		8210-17603		8210-17602
200	78	57	22	8.1	8	2.1	8210-20606		8210-20603		8210-20602
250	100	70	25	8.1	8	3.8	8210-25606		8210-25603		8210-25602
315	124	75	32	12.1	10	6.3	8210-32606		8210-32603		8210-32602
400	154	89	32	12.1	12	9.5	8210-40606		8210-40603		8210-40602

TO SUIT PRATT BURNERD STANDARD, SUPER PRECISION & GRIPTRU SCROLL CHUCKS

Chuck Dia	A	B	C	D	J	Weight Kg/Set	Soft Jaws		Hard Jaws			
							Code		Inside Code		Outside Code	Price
80	32	32	9.40	4.85	4.24	0.2	EJB		2580-08603		2580-08602	
100	41	35	14.10	4.85	5.08	0.4	EJC		2580-10603		2580-10602	
125	51	40	15.75	8.03	6.35	0.5	EJE		2210-13603		2210-13602	
160	70	44	18.79	8.03	6.35	1.2	EJG		2210-17603		2210-17602	
200	76	57	20.62	9.53	8.46	1.9	EJJ		2210-20603		2210-20602	
250	102	70	25.40	11.10	8.46	3.8	EJM		2210-25603		2210-25602	
315	114	70	28.19	12.88	8.46	4.7	EJP		2210-32603		2210-32602	
380	127	76	30.15	11.43	10.16	6.2	EJQ		NOT AVAILABLE		NOT AVAILABLE	
460/535/610	146	90	38.10	14.30	12.70	10.6	EJR		2580-46603		2580-46602	

* PRICES HELD WHILE CURRENT STOCKS LAST

TO SUIT PRATT ALL STEEL (TYPE 78) 3 & 4 JAW CHUCKS

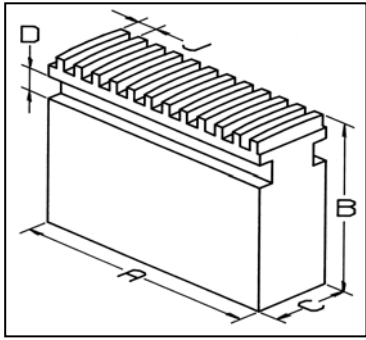
Chuck Dia	A	B	C	D	J	Weight Kg/Set	Soft Jaws		Hard Jaws			
							Code	Price	Inside Code	Price	Outside Code	Price
230	89	70	25.40	9.52	8.46	3.4	ELL		NOT AVAILABLE		NOT AVAILABLE	
310	108	76	30.15	11.43	8.46	5.3	ELO		NOT AVAILABLE		NOT AVAILABLE	

For 80, 100, 160, 190, 270 & 400mm Chucks please use range above which are interchangeable

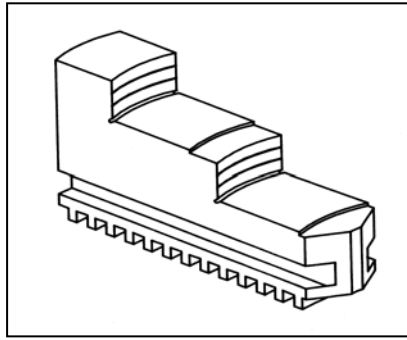
SCROLL JAWS SOFT AND HARD

FOR MANUAL SCROLL CHUCKS

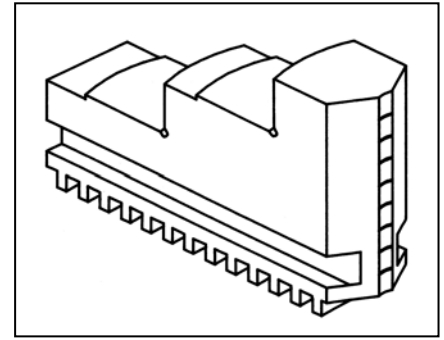
- Material - Soft Jaws : Steel : 080M15 (En32)



SOFT



HARD OUTSIDE



HARD INSIDE

TO SUIT PRATT / HARDINGE CHUCKS

Chuck Dia	A	B	C	D	J	Weight Kg/Set	Soft Jaws		Hard Jaws			
							Code	Price	Inside Code	Price	Outside Code	Price
125	44	35	14.10	4.85	6.35	0.4	ELF		NOT AVAILABLE		NOT AVAILABLE	

TO SUIT PRATT OLD TYPE CHUCKS

Chuck Dia	A	B	C	D	J	Weight Kg/Set	Soft Jaws		Hard Jaws			
							Code	Price	Inside Code	Price	Outside Code	Price
150	63	44	18.39	8.03	8.46	1.1	ELH		Please phone		Please phone	
Far 190 to 400mm Chucks please use all steel range above which are interchangeable												

TO SUIT BURNERD SCROLL CHUCKS

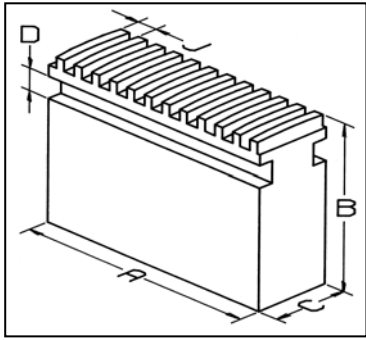
Chuck Dia	A	B	C	D	J	Weight Kg/Set	Soft Jaws		Hard Jaws			
							Code	Price	Inside Code	Price	Outside Code	Price
190/200/230	80	57	25.02	9.70	8.46	2.4	ELI		NOT AVAILABLE		Please phone	
270/305	102	76	31.37	12.88	8.46	5.2	ELN		NOT AVAILABLE		Please phone	
For 80, 100, 125 & 160mm Chucks please use standard range above which are interchangeable												

A & B dimensions & Weights shown are for soft jaws only

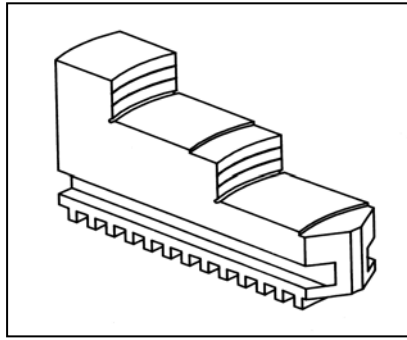
SCROLL JAWS SOFT AND HARD

FOR MANUAL SCROLL CHUCKS

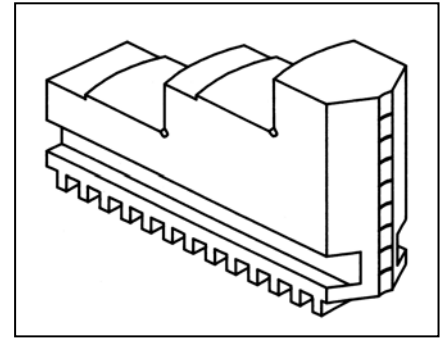
- Material - Soft Jaws : Steel : 080M15 (En32)



SOFT



HARD OUTSIDE



HARD INSIDE

TO SUIT TOS SCROLL CHUCKS

Chuck Dia	A	B	C	D	J	Weight Kg/Set	Soft Jaws		Hard Jaws			
							Code	Price	Inside Code	Price	Outside Code	Price
80	37	30	10	5	6	0.2	TO08		3080HI		3080HO	
100	42	35	14	7	6	0.4	TO10		3100HI		3100HO	
125	53	38	16	7	6	0.7	TO12		3125HI		3125HO	
160	68	45	18	7	6	1.2	TO16		3160HI		3160HO	
200	78	57	22	8	8	2.1	TO20		3200HI		3200HO	
250	100	70	25	8	8	3.8	TO25		3250HI		3250HO	
315	124	75	32	12	10	6.3	TO32		3315HI		3315HO	
400	154	89	32	12	12	9.5	TO40		3400HI		3400HO	

A & B dimensions & Weights shown are for soft jaws only

Jaws also available for 4 & 6 jaw chucks. Please contact us for prices