

The Micromag HP/50 has all the same benefits of the standard Micromag but has been developed to suit high pressure through spindle-coolant applications, where the smallest of particles can damage seals, spindles and even reduce the efficiency of the cutting tool.

Micromag HP/50 can be installed anywhere in the fluid delivery system and will ensure that even sub-micron magnetic and para-magnetic particles are removed before they can cause any expensive damage.

For further information relating to the benefits and operation of the Micromag HP/50 please refer to the supplied standard Micromag brochure.

Cleaning

Using the supplied cleaning tool, a fully contaminated core can be cleaned in under 30 seconds. Only metallic particles are removed from the filter and these can be easily disposed. There are no dirty cartridges!



Suitable Products

Neat & soluble oils.

Installation Location

Pre or post pump, delivery line, spindle feed or pre membrane cartridge.

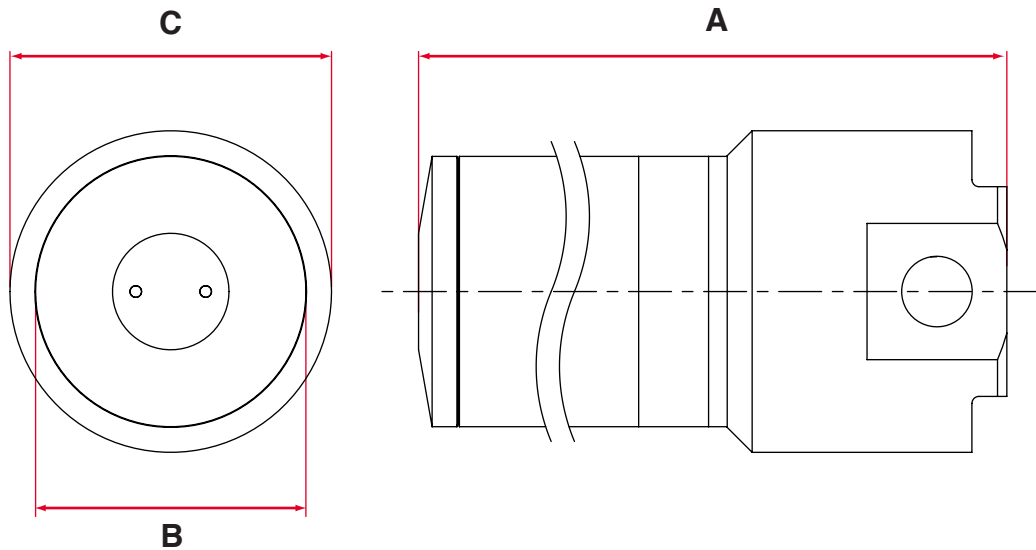
Benefits

- High pressure
- Sub micron filtration
- Large holding capacity
- High intensity rare earth magnetic material
- Suitable for all machining applications
- Environmentally responsible
- No consumables

Category

High Pressure.





Product Information

Product number	Flow rate ltrs/min.	Contamination capacity kgs	Max. operating pressure bar	Connection " BSP	Temperature range °C	Weight kgs	Construction	Dimensions mm		
								A	B	C
MM5/HP/50	70	1	50	1	0 – 140	6.27	Full aluminum construction	247	116	125
MM10/HP/50	100	2	50	1	0 – 140	8.4		365	116	125
MM20/HP/50	150	4	50	1½	0 – 140	21.5		625	116	125

Performance

Maximum Pressure	50 Bar
Magnetic Performance:	High Intensity
Circuit Design:	Open
Magnetic Material:	Rare Earth Neodymium Iron Boron
Magnet Grade:	N35SH – Inspected & confirmed via hystergaph prior to use
Temperature:	0 - 140°C

Materials

Housing:	Aluminium
Lid:	Aluminium
Tube:	304 Grade stainless steel
Surface:	Finish Machined and anodised
Sealing:	Viton O-ring

Options

Core cleaning post
 Mounting bracket
 Port adaptors