

The Micromag HP/80 follows on from the standard Micromag and has all of the same incredible benefits. This unit was developed to suit high pressure through spindle coolant applications, where the smallest of particles can damage seals, spindles and even the efficiency of the cutting tool.

Micromag HP/80 can be installed anywhere in the fluid delivery system and will ensure that even sub micron magnetic and paramagnetic particles are removed before they can cause any expensive damage.

For further information relating to the benefits and operation please refer to the supplied standard Micromag brochure.

Cleaning

Using the supplied cleaning tool, a fully contaminated core can be cleaned in under 30 seconds! Leaving you with only the metallic particles, which can be easily disposed of, no dirty cartridges!



Suitable Products

Neat & soluble oils.

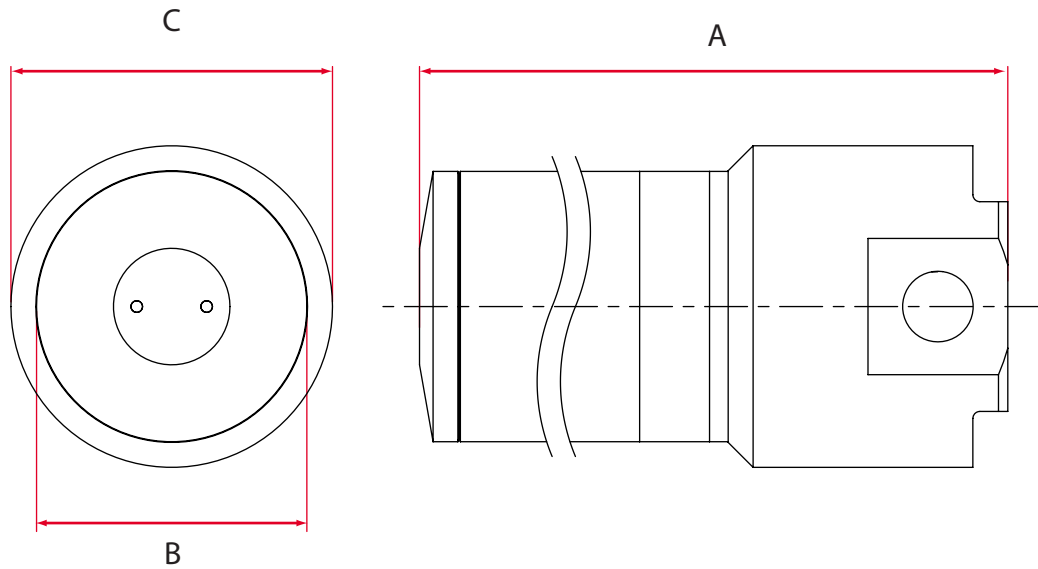
Installation Location

Pre or post pump, delivery line, spindle feed or pre membrane cartridge.

Benefits

- High pressure rated
- Sub micron filtration
- Large holding capacity
- High intensity Rare Earth magnetic material
- Full Stainless Steel construction
- Suitable for all machining applications
- Environmentally ethical
- No consumables





Product Information

Product number	Flow rate ltrs/min.	Contamination capacity kgs	Max. operating pressure bar	Connection " BSP	Temperature range °C	Weight Kgs	Construction	Dimensions mm		
								A	B	C
MM5/HP/80	70	1	80	1	-20 – +150	18	Full stainless steel construction	247	116	125
MM10/HP/80	100	2	80	1	-20 – +150	21		365	116	125
MM20/HP/80	150	4	80	1½	-20 – +150	33		625	116	125

Performance

Maximum Pressure
Magnetic Performance
Circuit Design
Magnetic Material
Magnet Grade
Temperature

80 Bar
 High intensity
 Open
 Rare Earth Neodymium Iron Boron (NdFeB)
 N35SH – Inspected & confirmed via hystergaph prior to use
 -20°C – +150°C

Materials

Housing
Lid
Magnetic Core
Surface
Sealing

304 Grade stainless steel
 304 Grade stainless steel
 304 Grade stainless steel
 Finish Machined and anodised
 Viton O-ring

Included

Bowl spanner
 Mounting bracket

Options

Nitrile O-ring
 Core cleaning post
 Port adaptors